



A system by

# TECHNICAL MANUAL

SCREENGUARD™ ACCESS

FIRE ESCAPE SYSTEM



SEPTEMBER 2023 - VERSION 3



# Disclaimer

Darley Aluminium strives to ensure the technical details contained in this manual are complete and correct. Occasionally, some errors or outdated information may require rectification - Darley Aluminium takes no responsibility for any loss or damage as a result of these errors. If you are unsure of any information provided within this manual, please contact your nearest Darley Aluminium office.

Engineering, manufacture and installation of frames must meet requirements of AS2047 (Windows in Buildings), AS 3959 (BAL) and WERS (Window Energy Rating Scheme).

Glazing selected must meet requirements of AS 1288 (Glass in Buildings).

Size limitations are governed by design intent, glass selection, and local wind load requirements as per AS/NZS 1170.2 (Wind Actions) or AS 4055 (Wind Loads for Housing). An Engineer should be consulted to ensure selected framing and installation meets the requirements as set out by the relevant Australian Standards.

Any reference to an Australian Standard within this manual is based on the interpretations of Darley Aluminium. Code Compliance responsibility remains with the user of this manual. Misuse or misinterpretation of the information in this manual or of the Australian Standards remains the responsibility of the user of this manual.

# Copyright

This technical manual and the information within remains the property of Darley Aluminium. The manual must not be reproduced, copied or loaned without prior agreements with Darley Aluminium.

# Contents

Features and Benefits.....	5
Product Profiles.....	6
Product Small Parts.....	7
Tools and Equipment .....	8
Cutting Formula .....	9
Frame Assembly.....	10
Sash Assembly.....	11
Escape Handle Assembly .....	12
Friction Stay Assembly .....	13
Installation Examples .....	14-19
Warranty and Maintenance.....	20

## Features and Benefits

### Screenguard Mesh:

- No expensive machinery to manufacture
- Easy to fabricate, saves you time, labour and dollars
- Use of 316 marine grade stainless steel security mesh, low maintenance
- Competitive purchasing prices, more profits
- Your initial stock purchases are minimal
- Sales Brochures for retail assistance
- Approved by an independent NATA accredited laboratory.

### Access System:

- Effective and competitive escape system
- Universally mounts to all sliding windows
- Easy to assemble

More importantly,

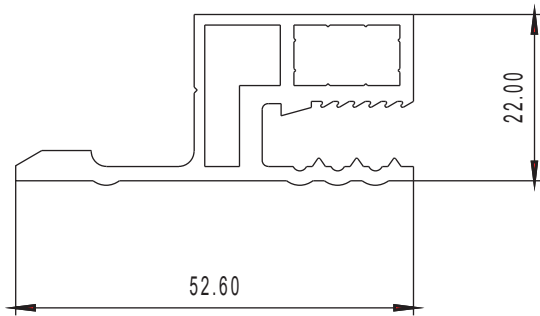
This escape access window system released by Darley Aluminium has been approved by an independent NATA accredited laboratory.

## Technical Specifications<sup>1</sup>

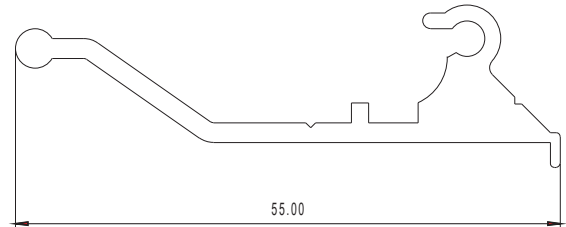
Frame Type	6063 - T6 (Alloy Frame Temper)
Mesh Type	316 Grade Stainless Steel High-Tensile Woven Security Mesh
Wire Diameter	0.8 mm (1.6mm overall sheet thickness)
Mesh Count	11 x 11 strands per inch
Aperture Size	1.64 mm x 1.64 mm (excluding coating)
Open Area	41.69% (excluding coating)
Warranty	10 year powder coat warranty on mesh*

<sup>1</sup> See Warranty & Maintenance page for terms & conditions

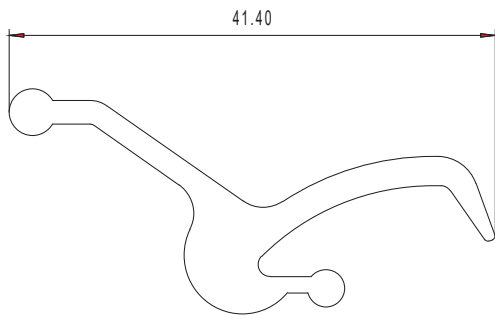
## Product Profiles



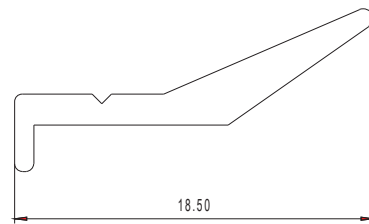
AU03001  
Window Frame



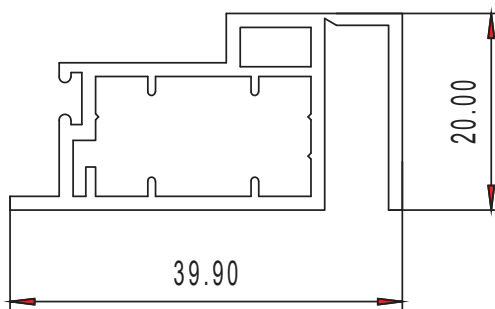
AU03002  
Latch Support - Black



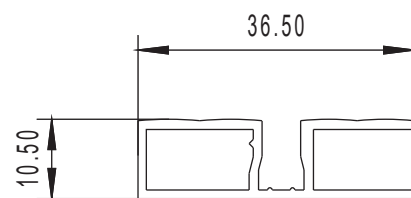
AU03003  
Latch - Black



AU03004  
Catch - Black

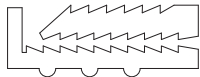


AU03005  
Outer Frame

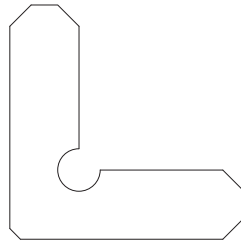


WF001  
Window Frame  
Surround

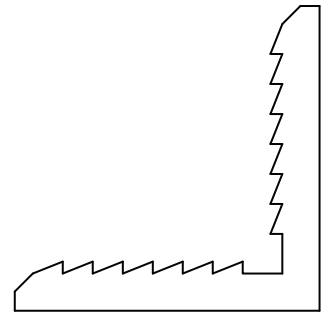
## Product Small Parts



2510  
PVC 2-Part Wedge / Seat



2656  
Corner Stake (7.4mm)  
To Suit AU03001



2653  
Corner Stake  
To Suit AU03005



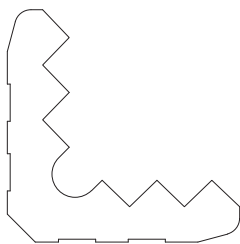
1853  
Spring To Suit AU3002



1210  
Friction Stay



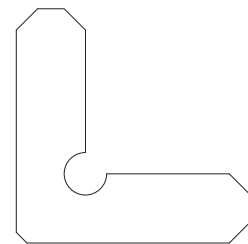
See Catalogue For Stock  
Pop Rivet



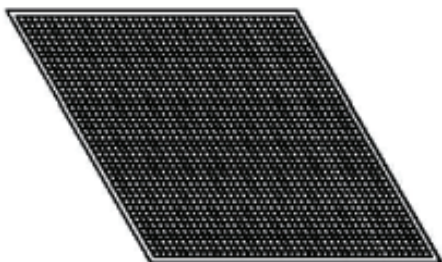
2660  
Corner Stake  
To Suit WF001



2661  
Pressed Corner Stake  
To Suit WF001



2663  
Corner Stake  
To Suit WF001



AU01-7520 = 750x2000  
 AU01-7524 = 750x2400  
 AU01-7530 = 750x300  
 AU01-9020 = 900x2000  
 AU01-9024 = 900x2400  
 AU01-9030 = 900x3000

AU01-1220 = 1200x2000  
 AU01-1224 = 1200x2400  
 AU01-1230 = 1200x3000  
 AU01-1520 = 1500x2000  
 AU01-1524 = 1500x2400  
 AU01-1530 = 1500x3000

Please confirm availability with your nearest Darley Aluminium.

## Tools And Equipment



2921  
Wedge Insertion  
Block



2515  
Manual Wedge Assembly  
Tool



2516  
Moulded Replacement Block  
to Suit 2515



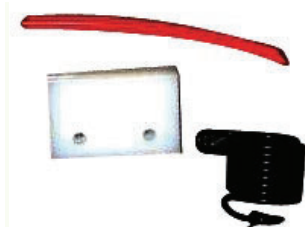
2912  
Security Window  
Center Punch



2512  
Portable Hammer Drill



2513  
Bit shaft with Moulded  
Block To Suit 2512 Drill



2514  
Moulded replacement  
Block to Suit 2513



2914  
Window Corner Crimper  
(Air Operated)

## Cutting Formula

For frame Height and Width required, please refer to the 'Installation Example' pages for more information.

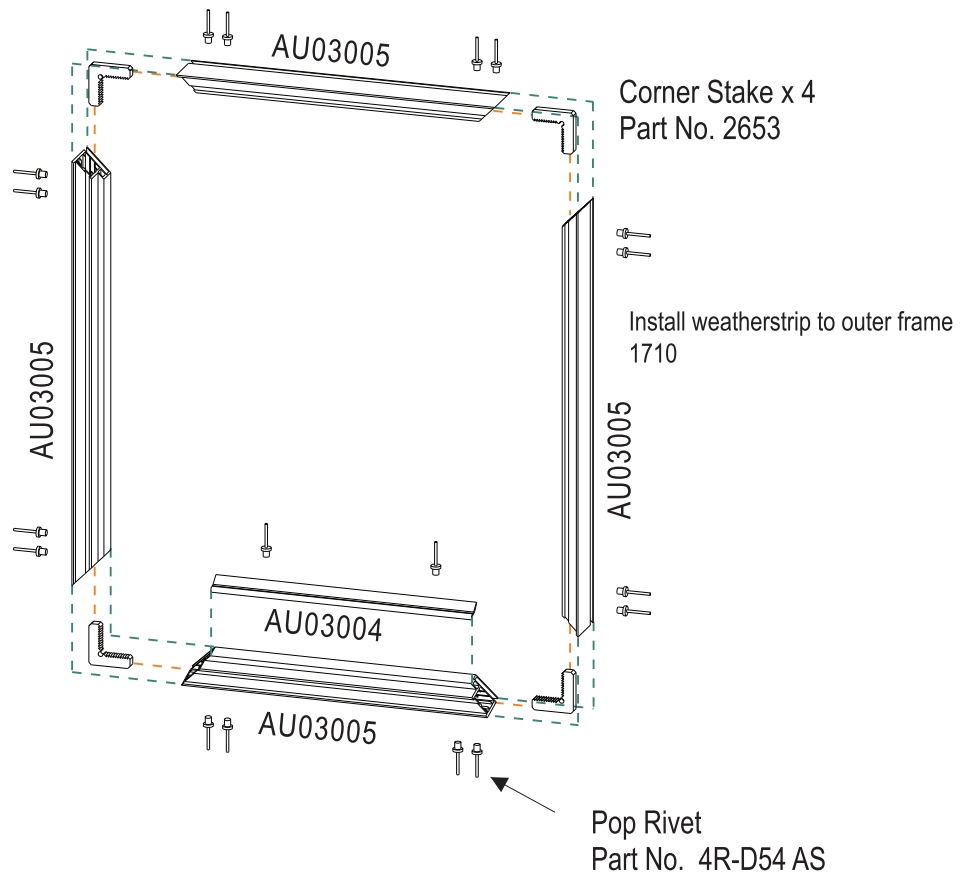
FRAME CUT LIST				
H = Overall Access Frame Height In mm			W = Overall Access Frame Width In mm	
Formula	Cut Size	Qty	Item	Details
H		2	AU03005 Outer Frame	45 DEG Mitre Cut
W		2	AU03005 Outer Frame	45 DEG Mitre Cut
W – 42mm		1	AU03004 Catch	Straight Cut

SASH CUT LIST				
H = Overall Access Frame Height In mm			W = Overall Access Frame Width In mm	
Formula	Cut Size	Qty	Item	Details
H – 9mm		2	AU03001 Window Frame	45 DEG Mitre Cut
W – 9mm		2	AU03001 Window Frame	45 DEG Mitre Cut
W – 56mm		1	AU03002 Escape Latch	Straight Cut
W – 44mm		1	AU03003 Latch	Straight Cut

MESH CUT LIST				
H = Overall Access Frame Height In mm			W = Overall Access Frame Width In mm	
Formula	Cut Size	Qty	Item	Details
H – 84mm			Screenguard Mesh	
W – 84mm			Screenguard Mesh	

Recommended minimum size is 900mm Height x 600mm Width.  
See Screenguard Security Tech Manual for tips on inserting mesh.

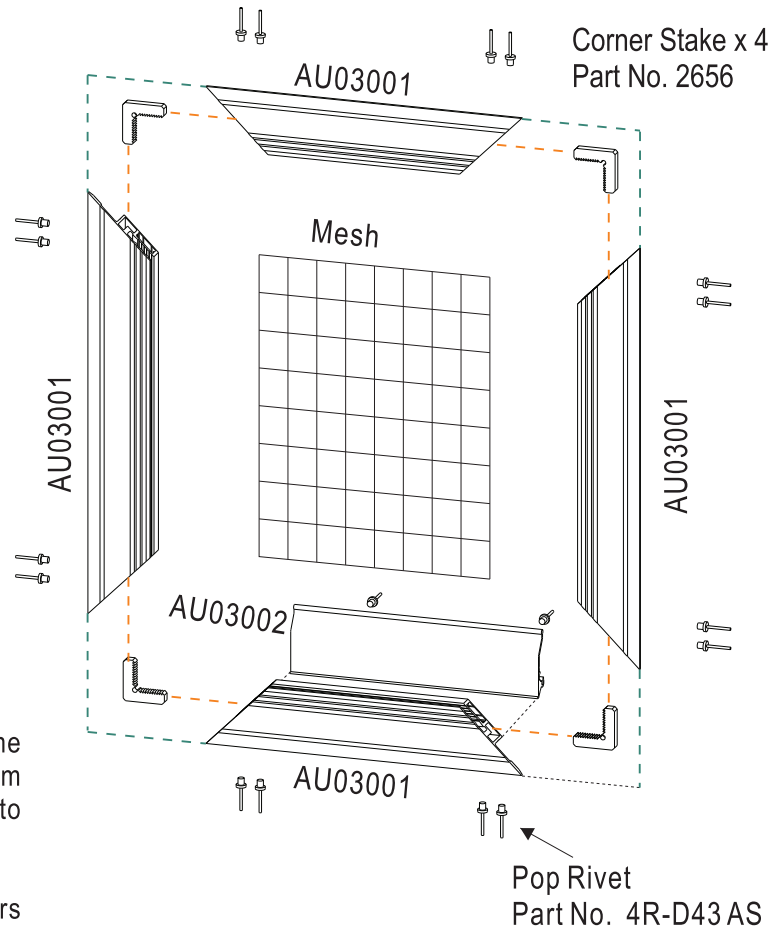
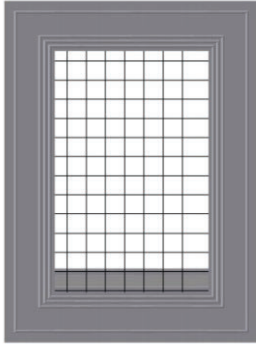
# Frame Assembly



Frame Assembly Procedure:

1. Cut frame and latch
2. Instal weatherstrip to outside frame
3. Assemble frame as per diagram
4. Fix corners using pop rivets
5. Fix latch using pop rivets

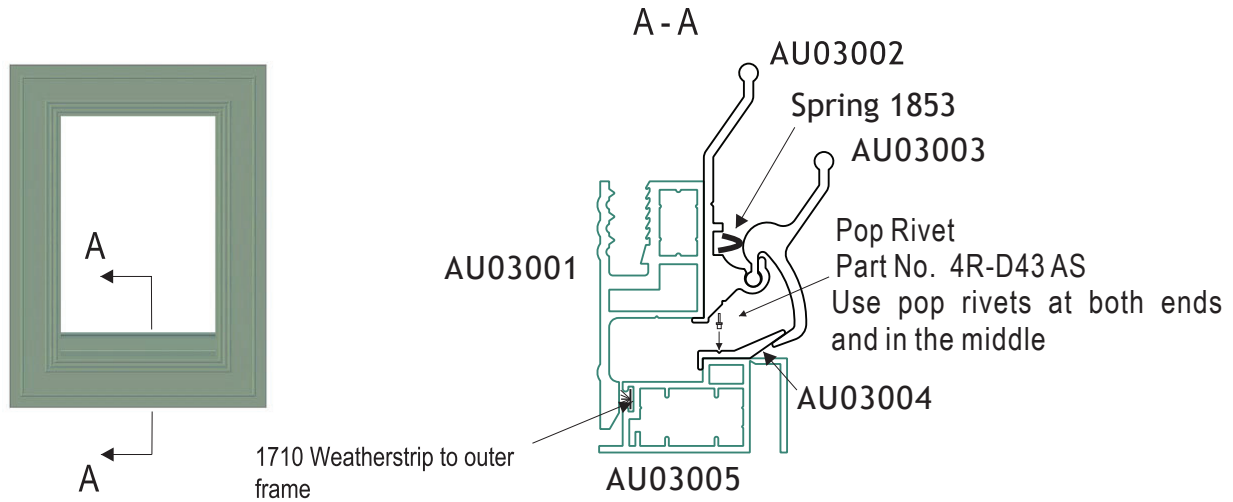
## Sash Assembly



### Sash Assembly Procedure:

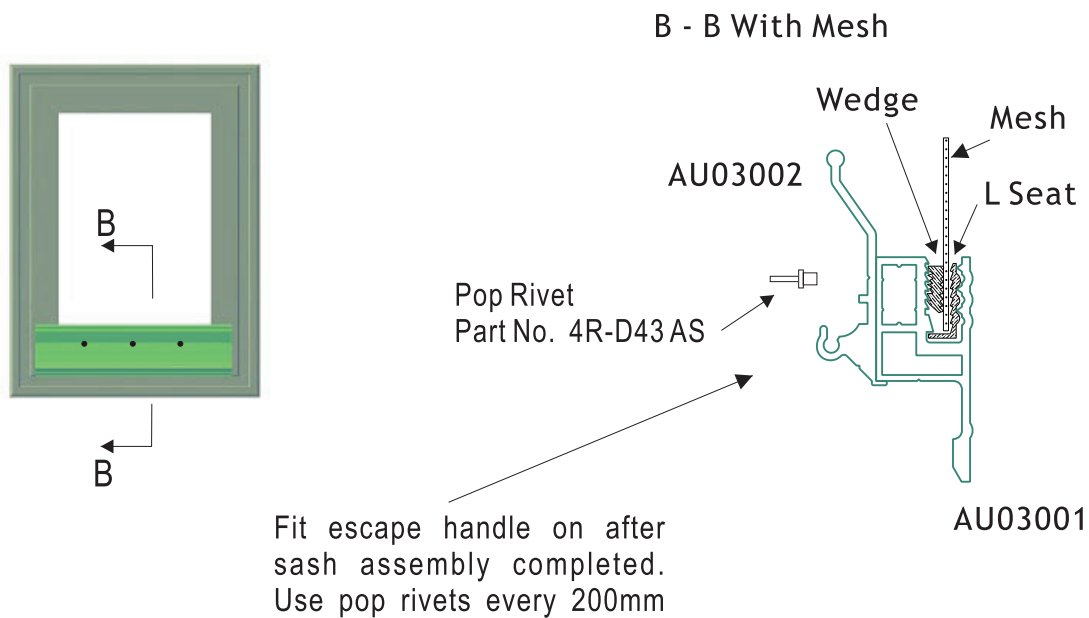
1. Assemble 3 sides of window frame AU03001 with wider cover flange to bottom & PVC L seat in place, slide mesh into position before fitting last side.
2. After squaring frame, rivet both corners on the top side only (29mm wide face). Now rivet the side pieces only at the bottom & at 45mm up from the inner corner – this allows placement of the Escape handle.
3. Place the Escape handle AU03002 onto the bottom of this window frame & using the drill line on this handle finish rivets on each corner ensuring you secure the corner stakes at the same time. Finish securing section AU03002 with one more rivet in the middle once again using the drill line.
4. Place PVC wedge into position & fasten mesh.

# Escape Handle Assembly

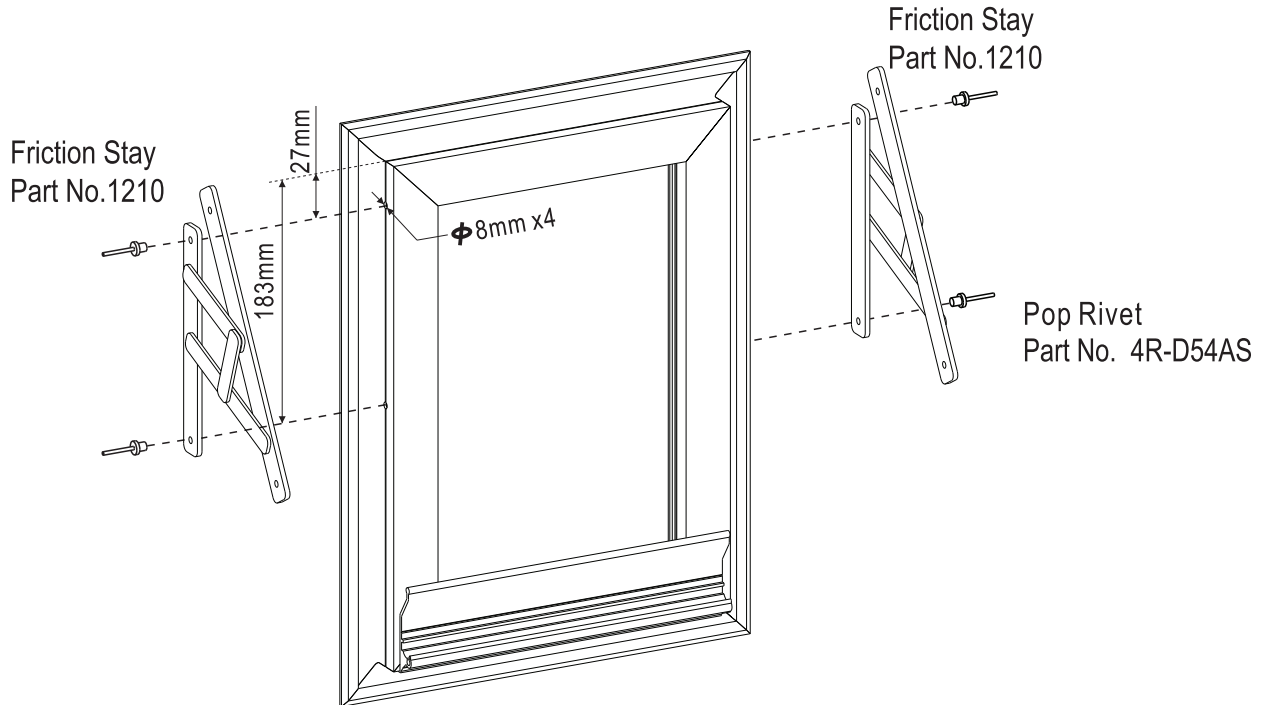


\* After sash assembly place springs into AU03002 spring channel. Recommended quantity of springs is 1 spring per 150mm width of handle.

\* Slide escape handle AU03003 into AU03002

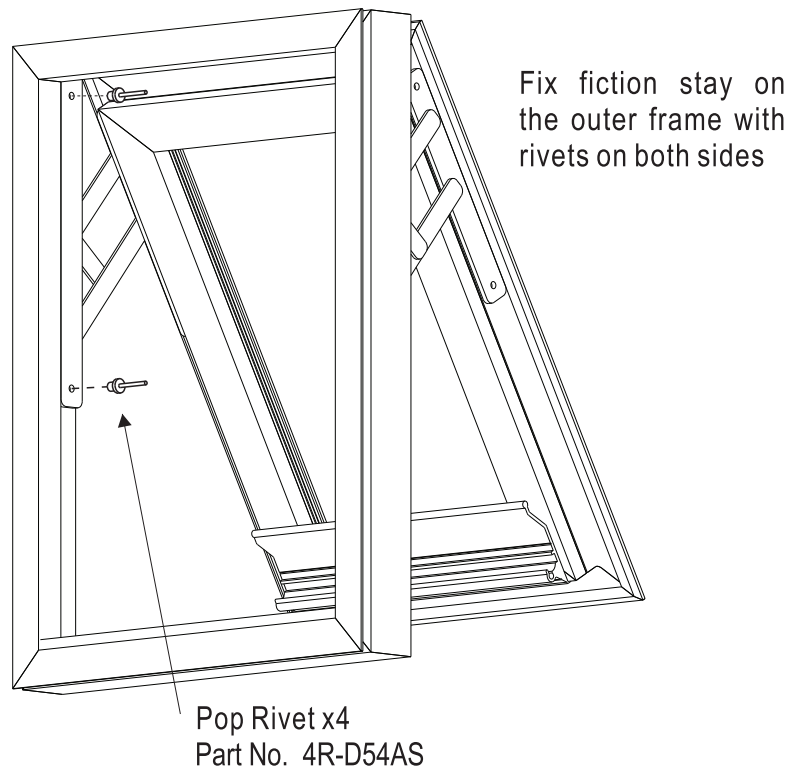


## Friction Stay Assembly



### Friction Stay Assembly Procedure:

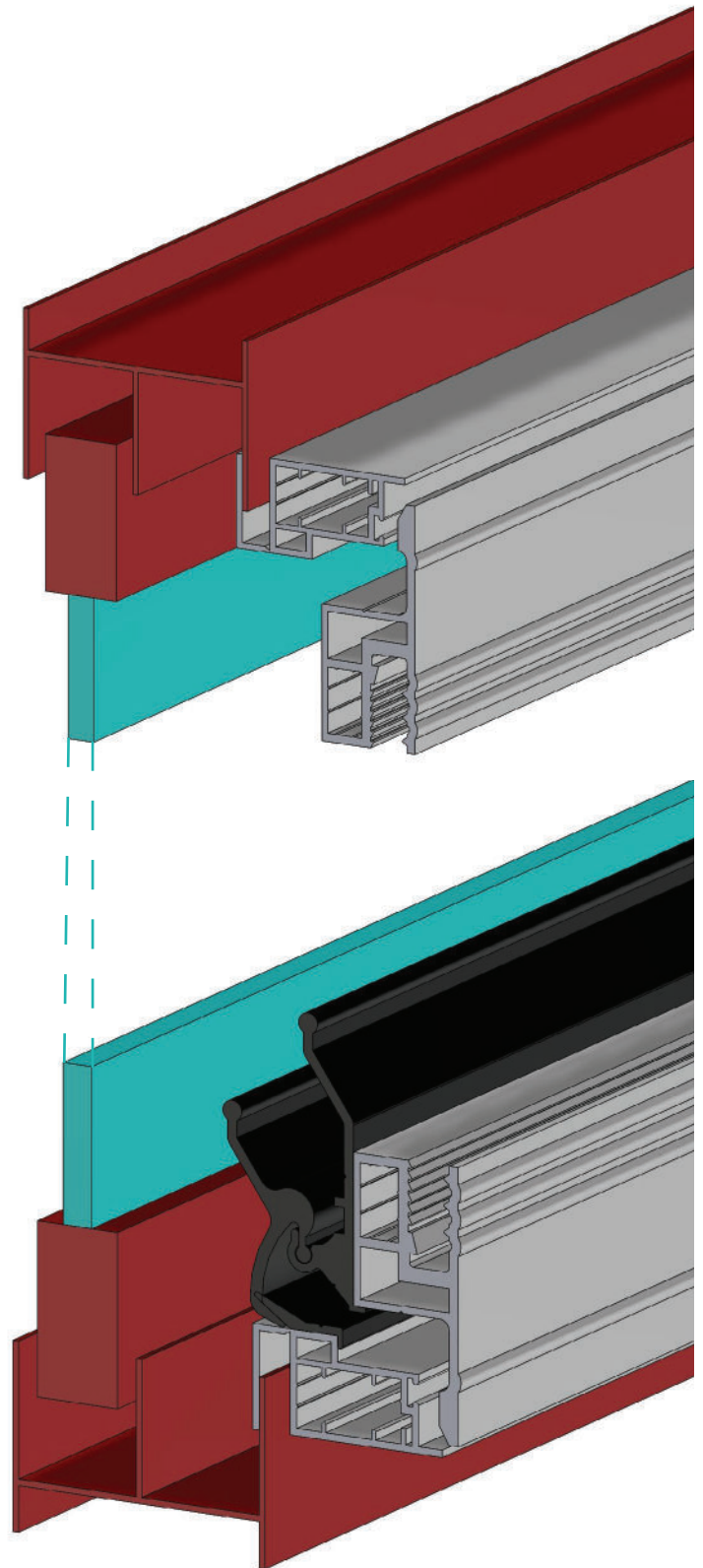
1. Using a 250mm recommended friction stay, measure 27mm & 183mm down on each inner top side of window frame & using the drill line mark then drill a 4mm hole into each. Fix the shorter & thinner side of the friction stays to these holes using 4mm dome head rivets using the top & bottom holes of the stay only.
2. After the stays are secured to the window frame half open the stays & place the unsecured side of the friction stay flush with the inner top of the outer/main frame.
3. Drill the top & bottom holes of this side of the friction stay & secure with 2 x 4mm countersunk rivets.



## Installation Example 1: Head and Sill

Installation method suits:

KlassicView 53mm Sliding Window/  
Residential

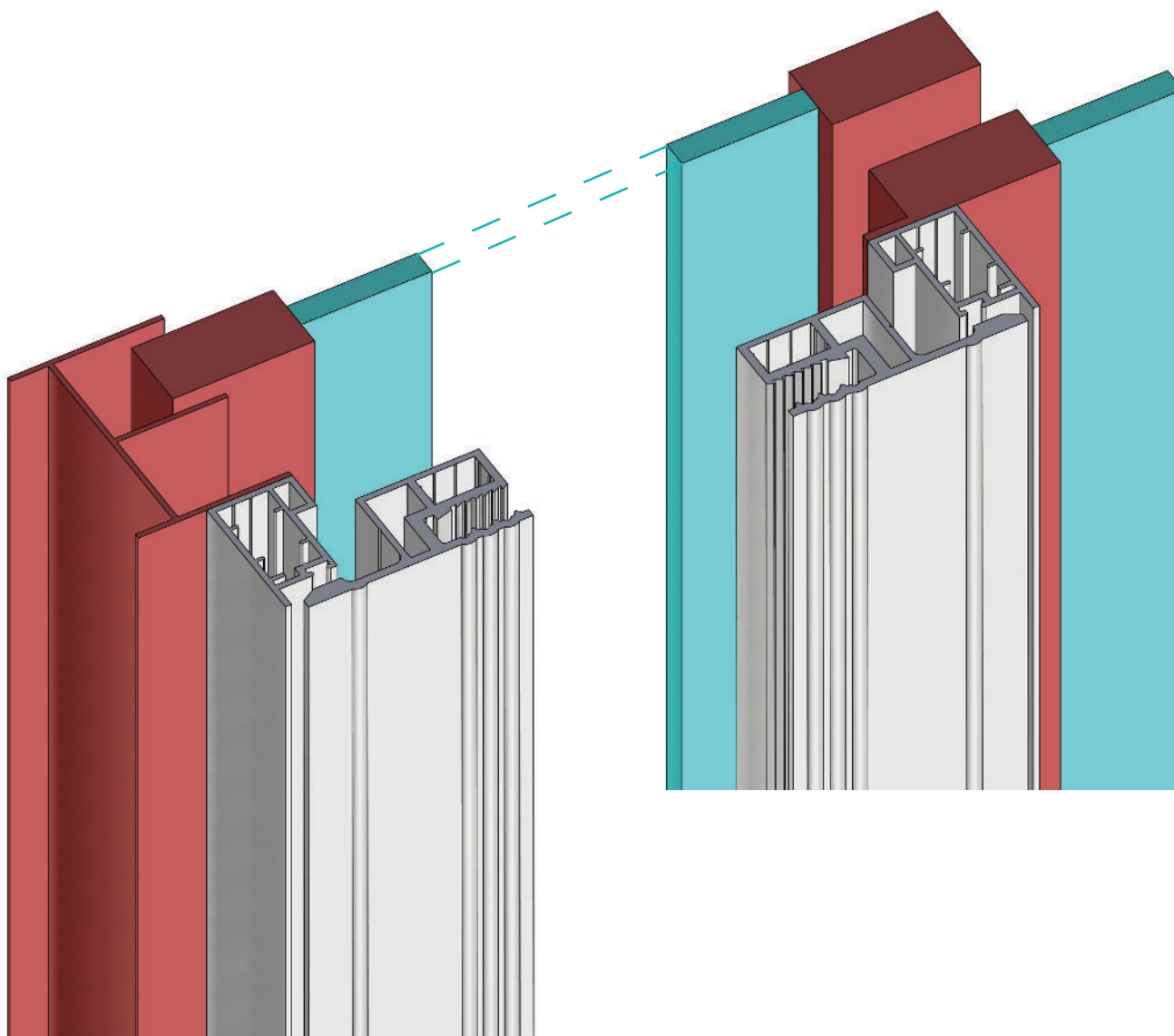


Access Frame Height = Head to Sill opening + 16mm

## Installation Example 1: Jamb and Interlock

Installation method suits:

KlassicView 53mm Sliding Window/  
Residential



Access Frame Width = Jamb to Interlock opening + 40mm

## Installation Example 2: Head and Sill

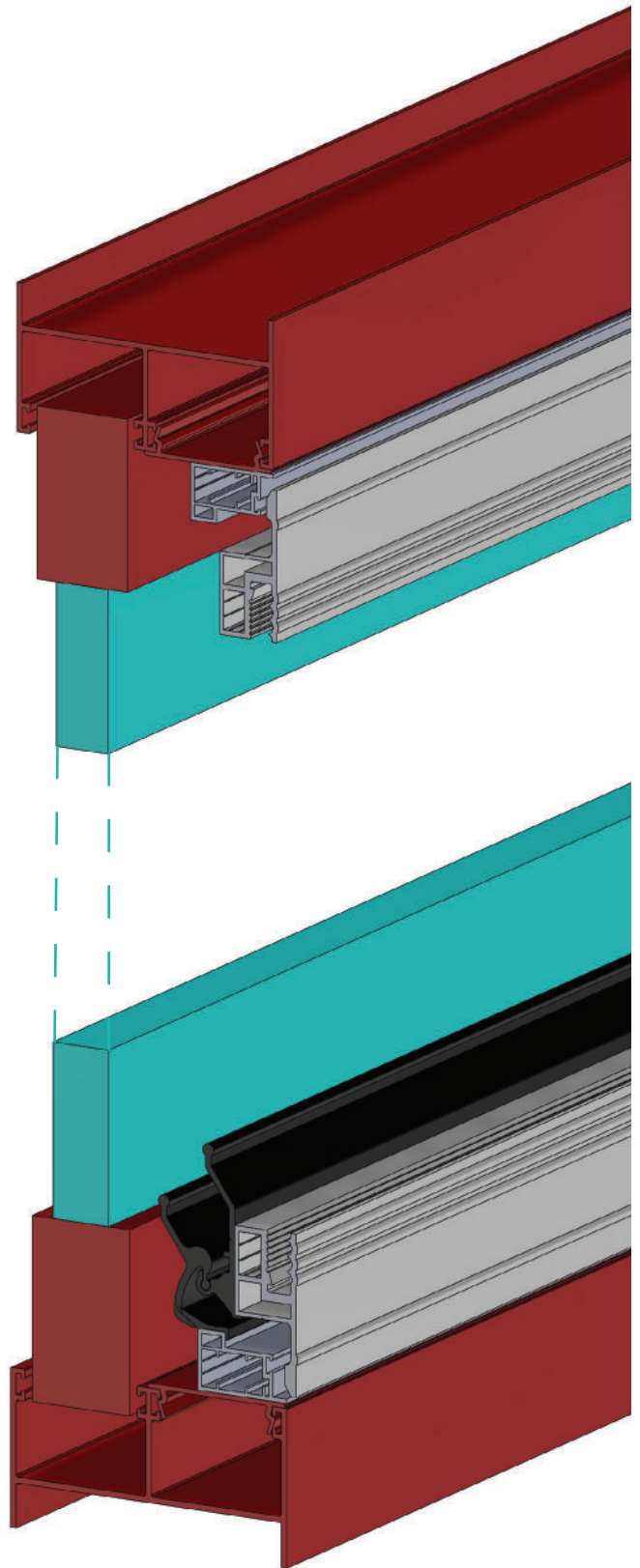
Installation method suits:

CityView Apartment Door (Used as  
a window)

Climateguard Sliding Window

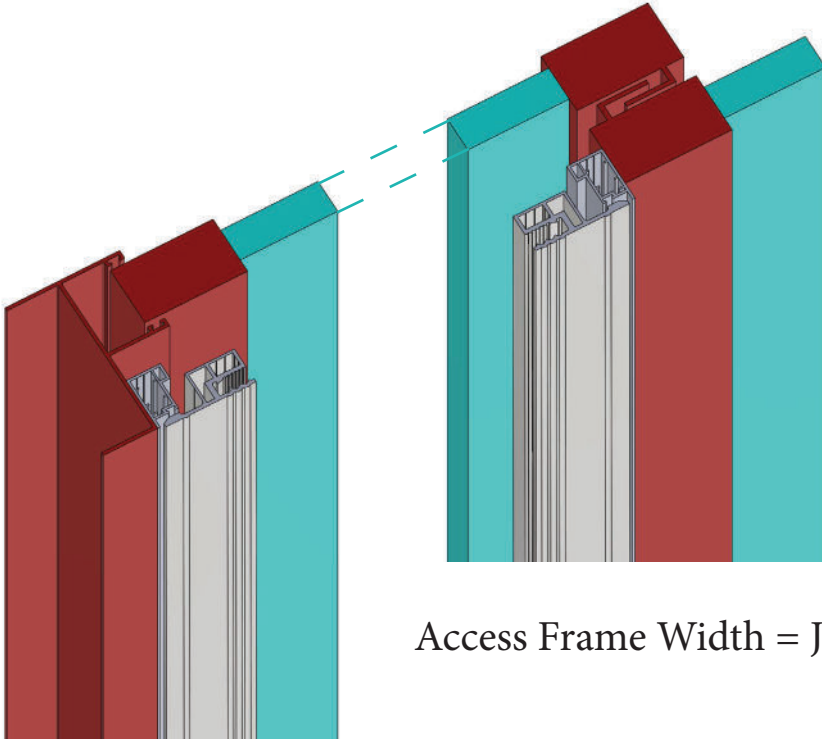
KlassicView 76mm Sliding Window

CityView Sliding Window



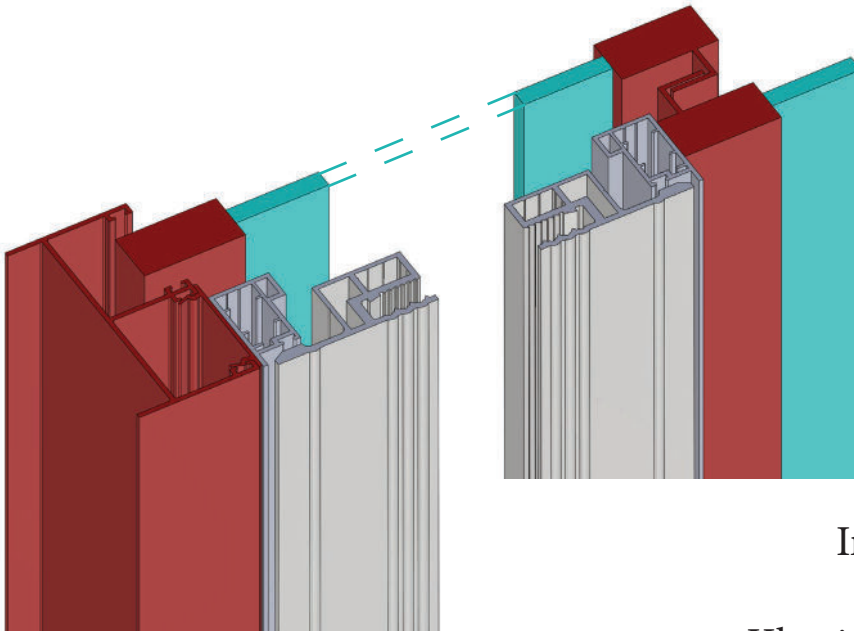
Access Frame Height = Head Filler to Sill Filler opening - 3mm

## Installation Example 2: Jamb and Interlock



Installation method suits:  
CityView Apartment Door  
(Used as a window)  
Climateguard Sliding Window

Access Frame Width = Jamb to Interlock opening - 3mm



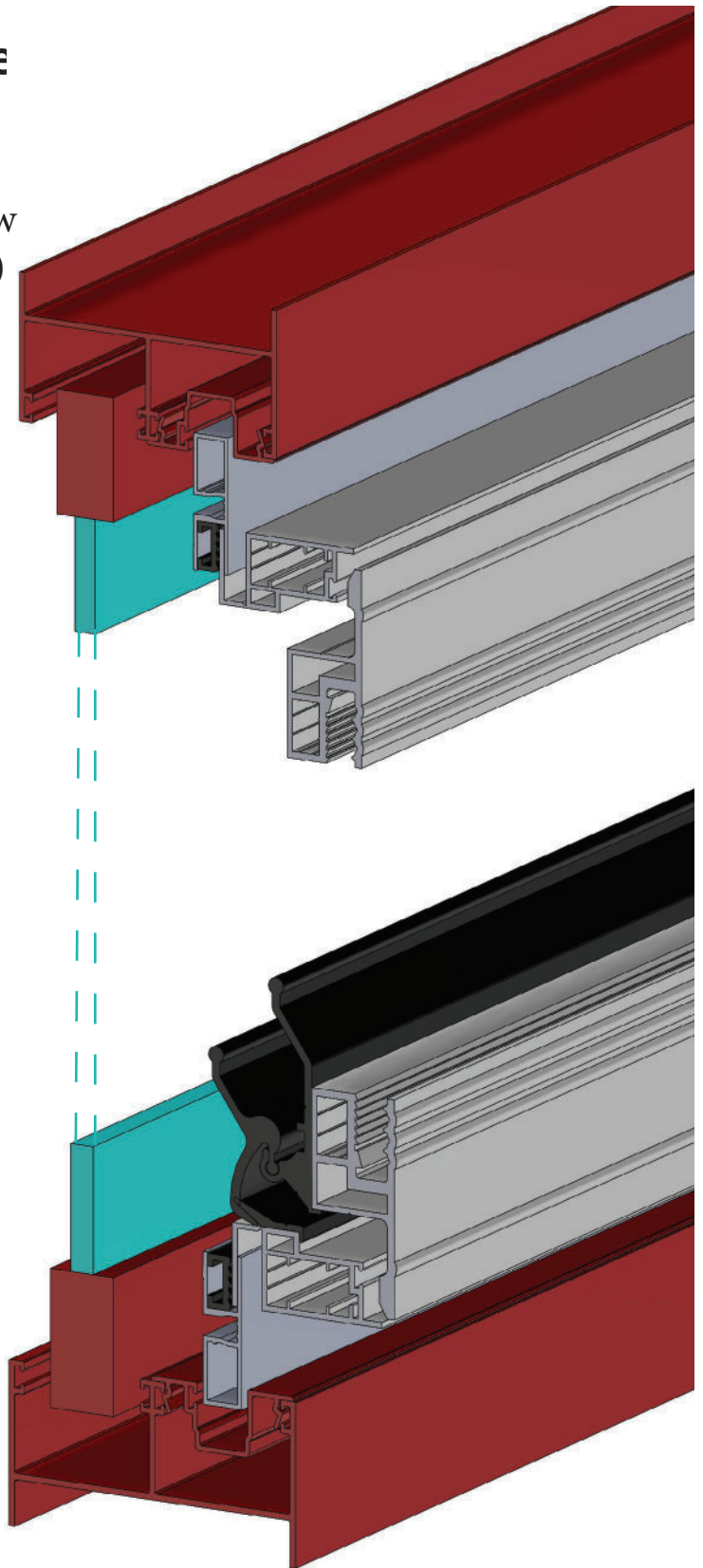
Installation method suits:  
KlassicView 76mm Sliding Window  
CityView Sliding Window

Access Frame Width = Jamb Filler to Interlock opening - 3mm  
Recomend a 20mm gap between screen and panels

### Installation Example 3: He

Installation method suits:

KlassicView 76mm Sliding Window  
(Alternative flyscreen style option)

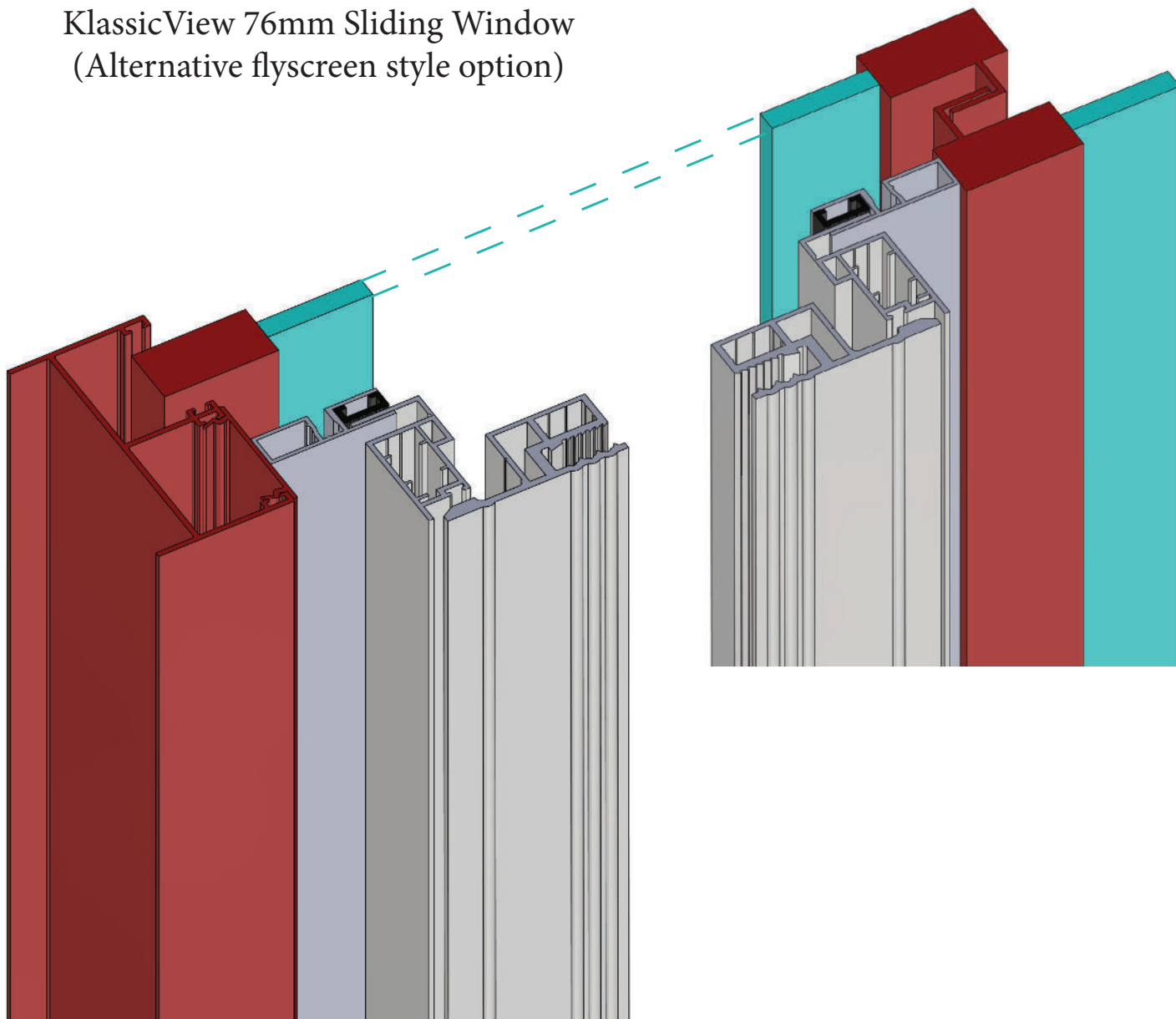


WF001 Frame Height = Head Filler to Sill Filler opening + 13mm  
Access Frame Height = WF001 Height - 49mm

## Installation Example 3: Jamb and Interlock

Installation method suits:

KlassicView 76mm Sliding Window  
(Alternative flyscreen style option)



WF001 Frame Width = Jamb Filler to Interlock opening - 3mm  
Access Frame Width = WF001 Width - 49mm

## Warranty and Maintenance

### Warranty

ScreenGuard product warranty is for 10 years from the date of product installation.

This warranty is to the original purchaser providing always that the product care and maintenance recommendations have been complied with during that period. ScreenGuard warrants its product to be free from defects in materials and manufacturing when fabricated in accordance with the ScreenGuard fabricator instructions. This warranty does not apply to damage caused by abuse, fire, accident, acts of god or alteration to the original product in any part.

### Care & Maintenance

Your ScreenGuard Security System will require regular maintenance to remove contaminants caused by pollution, industry, salt and climatic conditions. It is recommended to use a soft bristled brush or non-abrasive cloth with warm potable water and neutral detergent, then rinse with potable water. Abrasive cleaners and harsh detergents are not recommended as these can scratch or damage the surface area. The following table indicates the suggested frequency of maintenance.

Environment	Definition	Frequency
Mild	10km from coastal/rural or suburban areas	Every 6 months
Moderate	5km from coastal/high traffic areas	Every 3 months
Severe / Coastal	1km from coastal/marine/heavy industrial	Every 2 weeks

### ScreenGuard Powawash

Regular maintenance with ScreenGuard Powawash is required to comply with your ScreenGuard 10 year warranty.

Mix 3 caps (25mL) per litre of water. It is recommended to use a soft bristled brush or non-abrasive cloth, then rinse with water.

ScreenGuard Powawash is:

- Non - Toxic
- Biodegradable
- User-Friendly
- Environmentally Friendly



200ml per bottle

