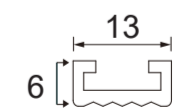
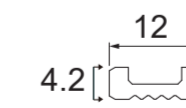
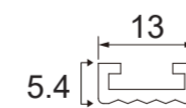
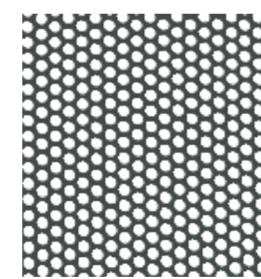
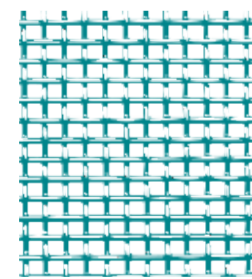
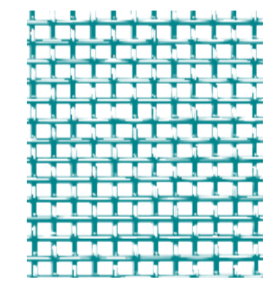
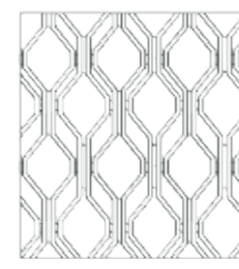
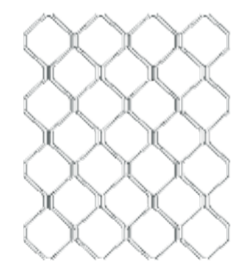
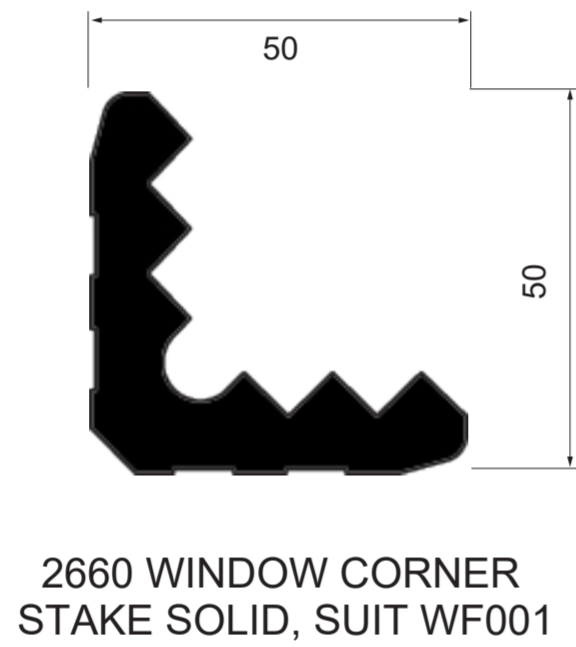
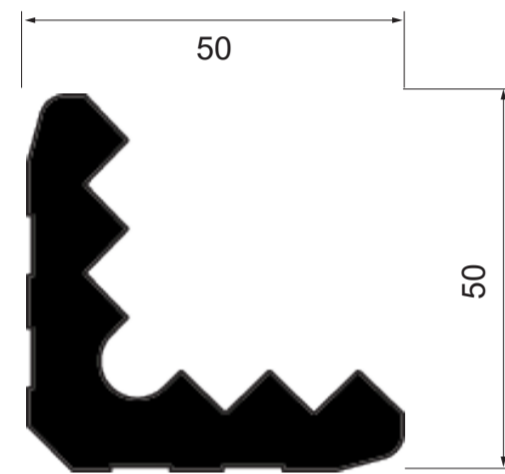
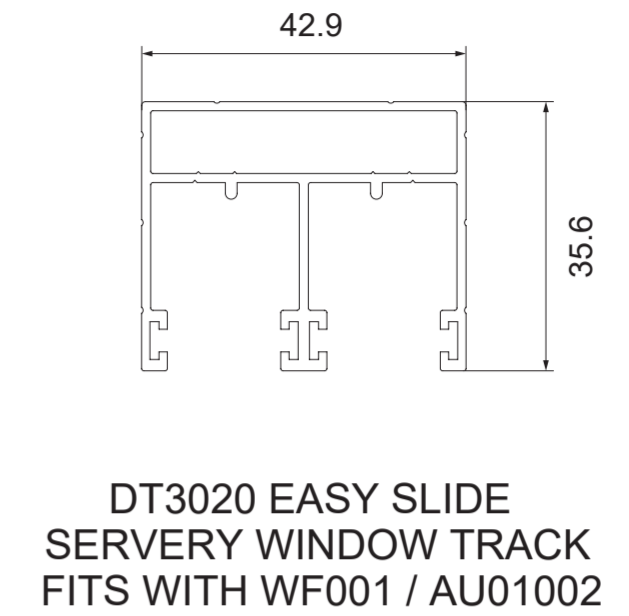
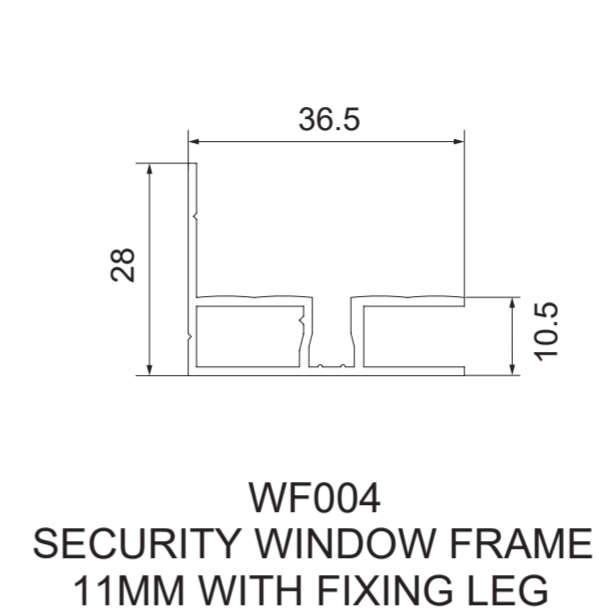
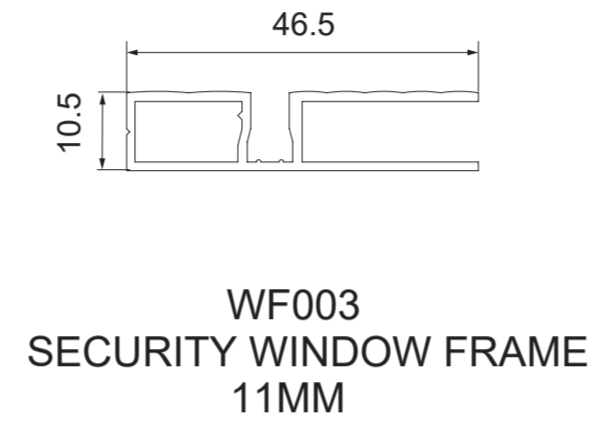
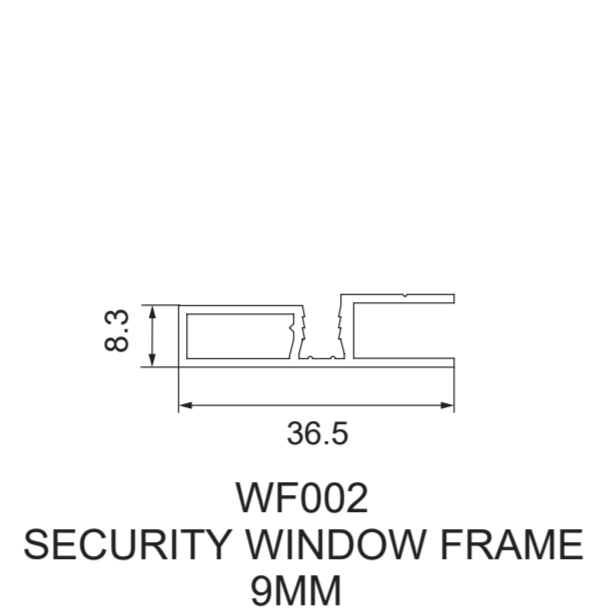
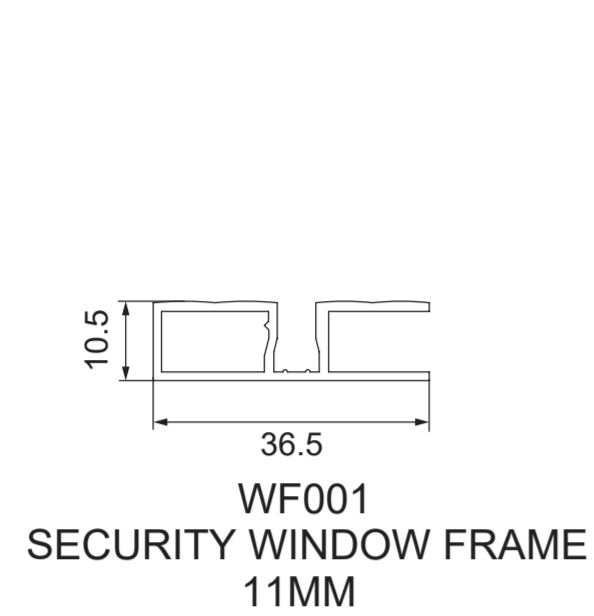


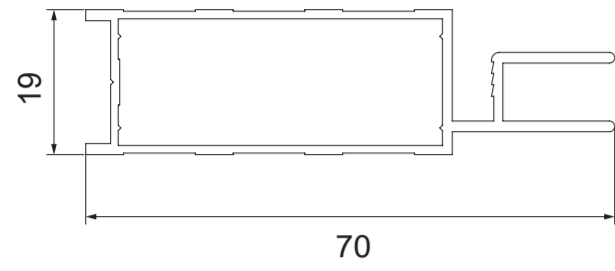


SECURITY WALL CHARTS

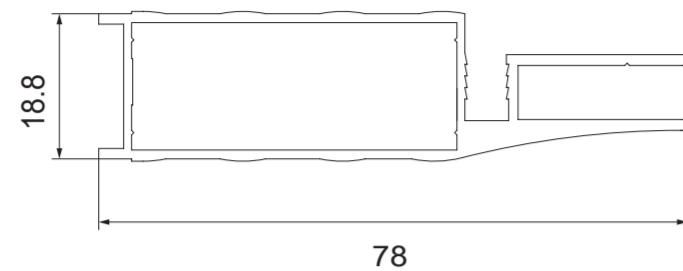
WINDOW SCREEN SECTIONS - SCALE 1:1



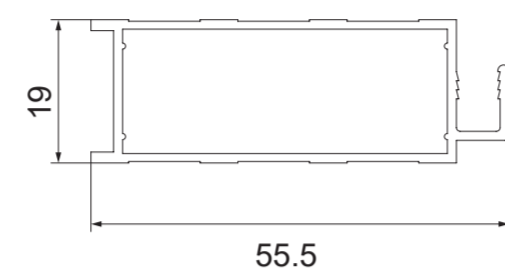
SECURITY DOOR SECTIONS - Pg1 - SCALE 1:1



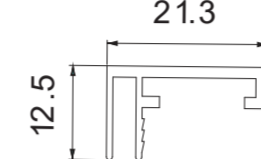
DF001
STANDARD SECURITY
DOOR FRAME (7MM)



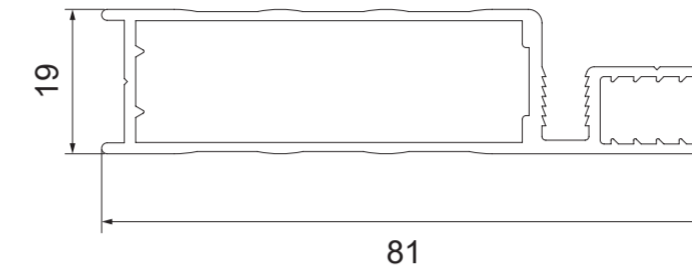
DF003
HEAVY DUTY
DOOR FRAME (7MM)



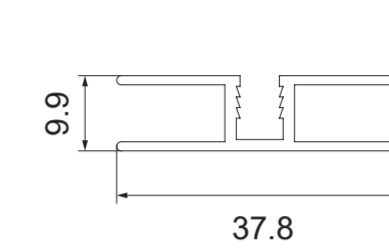
DF006
EXTRUDED FLYDOOR
FRAME



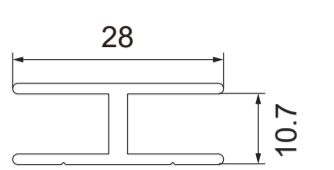
DF007
FRAME COVER
TO SUIT DF001



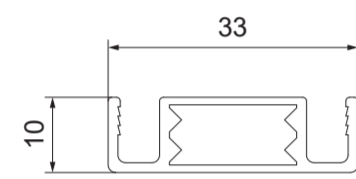
DF20
SECURITY DOOR
FRAME



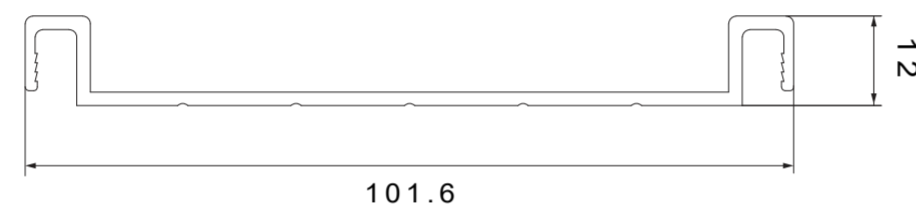
SH003
7MM JOINING MOULD
(WITH SPLINE CHANNEL)



SH004
JOINER (WITHOUT
SPLINE CHANNEL)



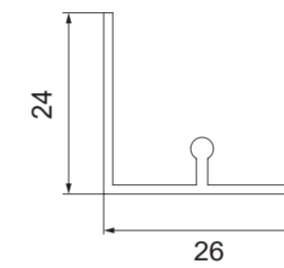
SH005
EXTRUDED FLYDOOR
MIDRAIL



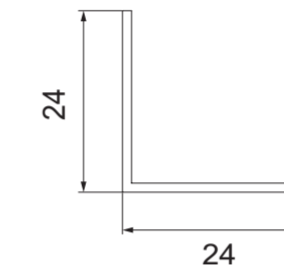
SH006
FLYDOOR MIDRAIL



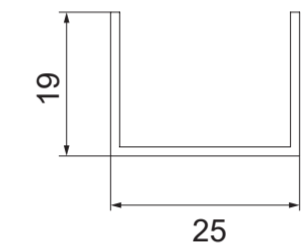
2700**
PVC J-BEAD 2.7M



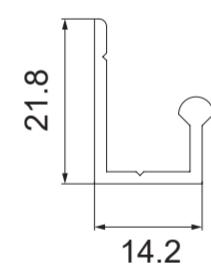
DT3221
TOP & BOTTOM
SLIDING TRACK



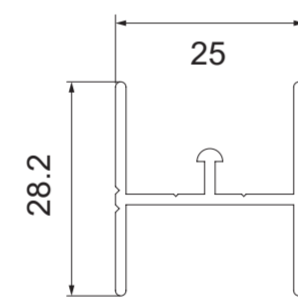
DT3223
U CHANNEL
24 X 24 X 1.2MM



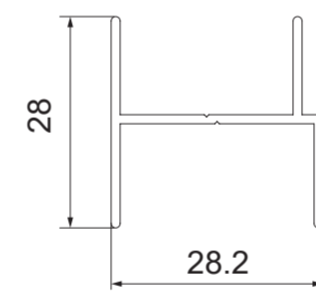
DT3192
U CHANNEL
19 X 24 X 1.2MM



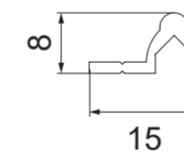
DT3231
J TRACK



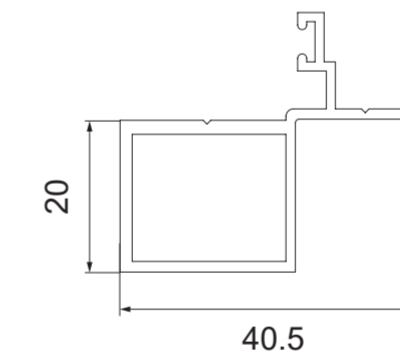
DT3333
DOOR SINGLE TRACK



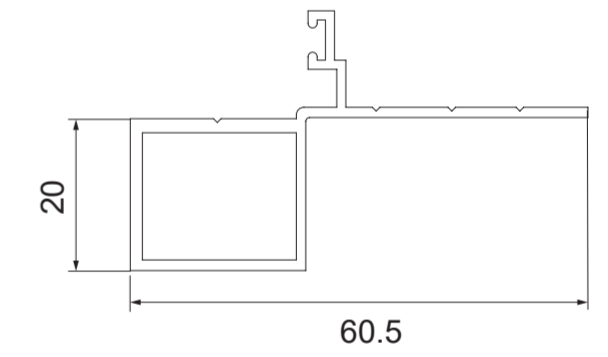
DT3344
DOOR JAMB / OFFSET H
RECEIVER



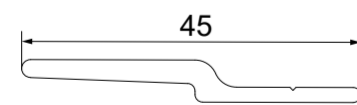
DT3232
PIP FLOOR TRACK



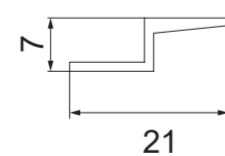
DJ3250
ENCLOSED JAMB
ADAPTOR SMALL



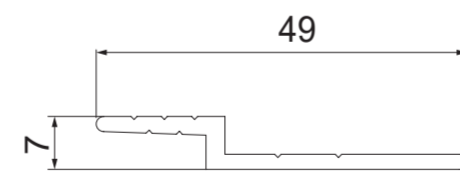
DJ3260
ENCLOSED JAMB
ADAPTOR



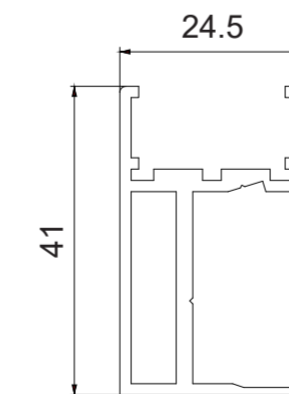
DI3214
HEAVY DUTY
3MM OFFSET INTERLOCK



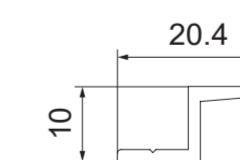
DI3224
7MM OFFSET
INTERLOCK



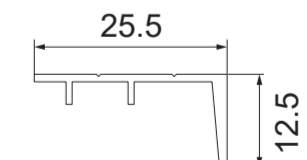
DT3206
7MM OFFSET
INTERLOCK EXTENDED



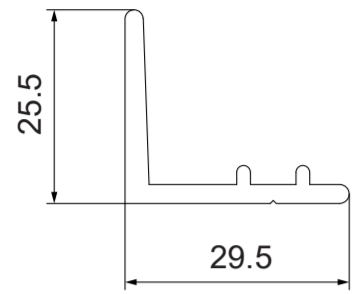
DT3207
CORNER RECEIVER



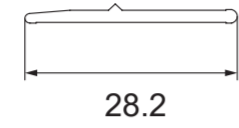
SD626
10MM OFFSET INTERLOCK
FOR ARCHITECTURAL DOOR



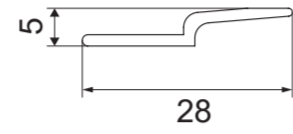
DI3225
FRAME INTERLOCK
(FEMALE)



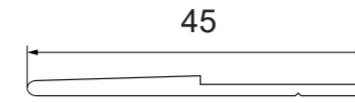
DI3216
HEAVY DUTY FRAME
INTERLOCK



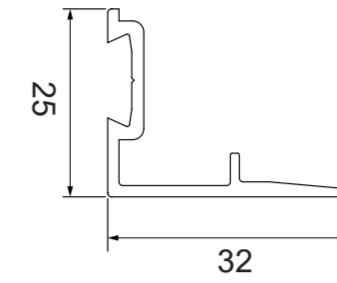
DI3228
FLAT INTERLOCK



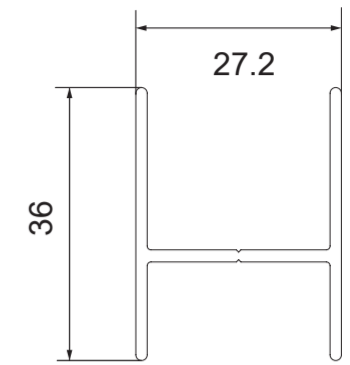
DI3229
3MM OFFSET
INTERLOCK



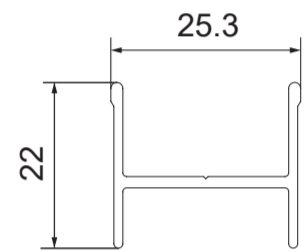
DI3215
HEAVY DUTY FLAT
INTERLOCK



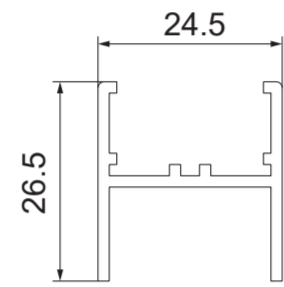
SWD037
PATIO DOOR FLY DOOR
INTERLOCK



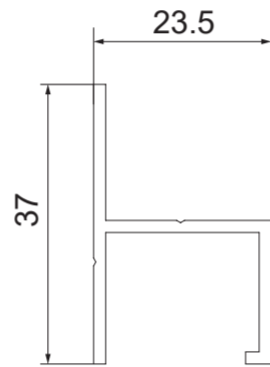
DT3202
LARGE H



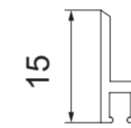
DT3204
H - RECEIVER
LIGHT DUTY



DT3205
H - RECEIVER
HEAVY DUTY



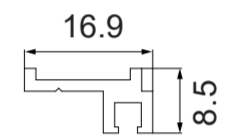
DT3203
TOP TRACK ADAPTOR



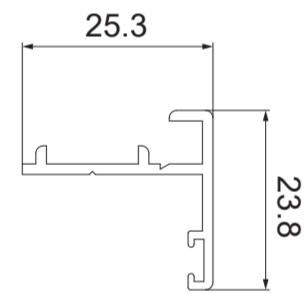
DB3222
STANDARD 15MM BUG STRIP
RETAINER



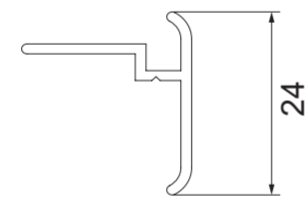
DB3227
25MM BUG STRIP
RETAINER



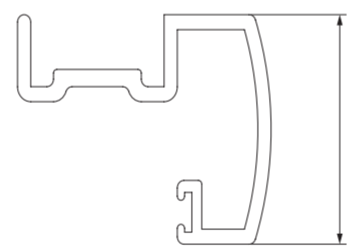
DB3223
UNDER DOOR BUG STRIP
RETAINER



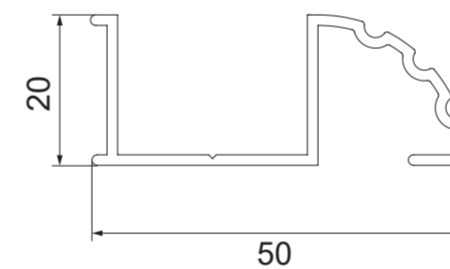
DT3210
T SECTION DOUBLE
DOOR WITH SEAL



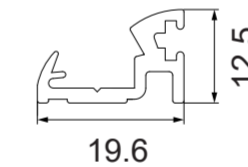
DT3226
LIGHT T SECTION
DOUBLE DOOR



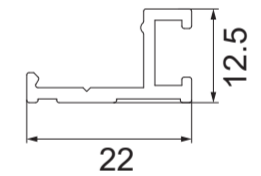
DT3236
DOUBLE DOOR COVER
HEAVY DUTY



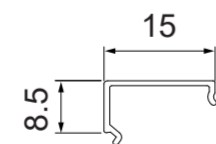
DT3552
TOP HUNG
BOTTOM TRACK



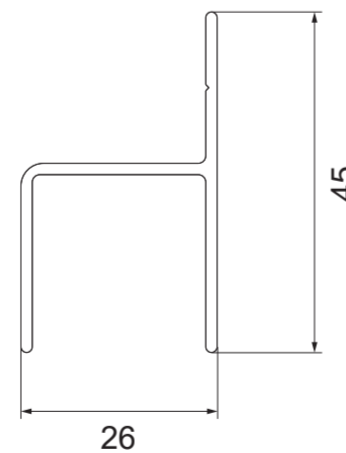
TJ773
PLANT ON DOOR STOP



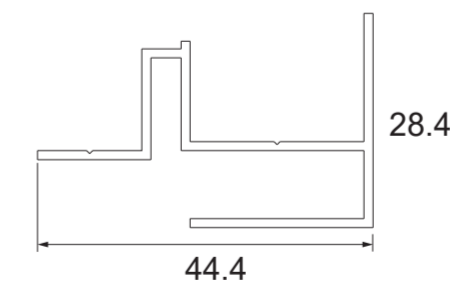
JM2810
PLANT ON DOOR STOP



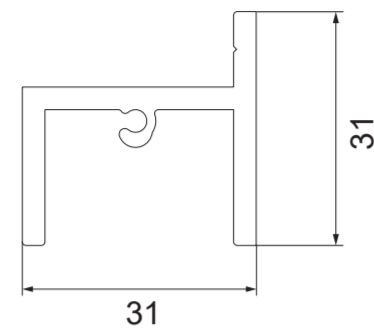
1688
PVC COVER
FOR JM2810



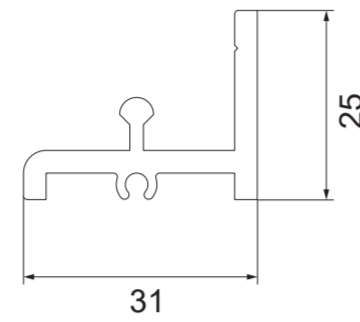
DT3219
SECURITY
TOP TRACK



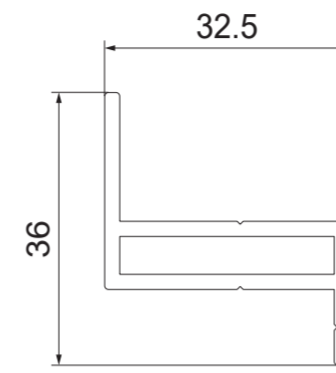
DJ3271
J JAMB ADAPTOR



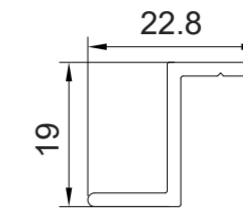
SD421
SINGLE FLY DOOR
FACE FIX



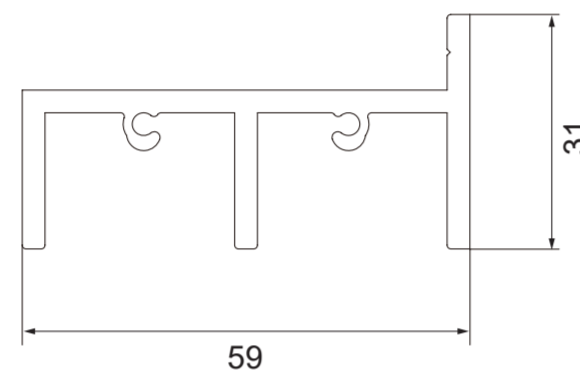
SD422
SINGLE FLY DOOR SILL
FACE FIX



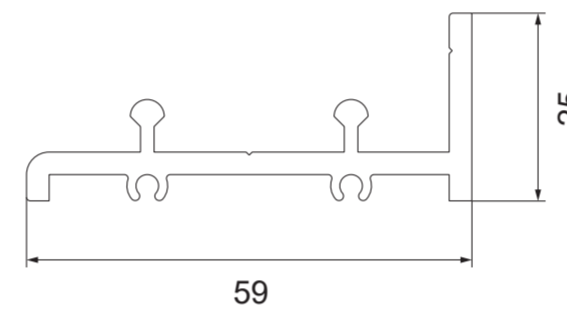
SD425
SINGLE FLY DOOR JAMB
FACE FIX



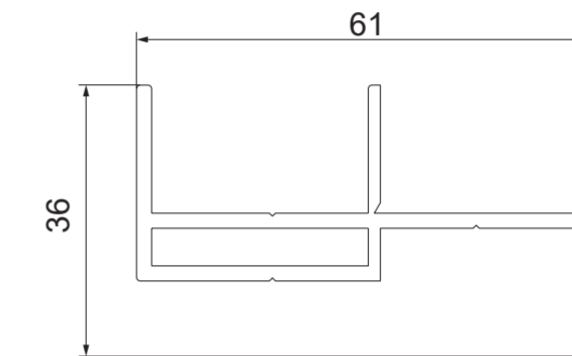
SD620
20MM OFFSET INTERLOCK
FOR ARCHITECTURAL DOOR



SD621
DOUBLE FLY DOOR
HEAD

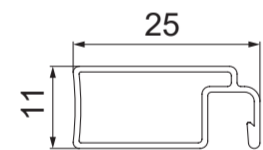


SD622
DOUBLE FLY DOOR SILL
FACE FIX

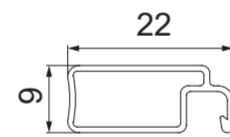


SD625
DOUBLE FLY DOOR JAMB
FACE FIX

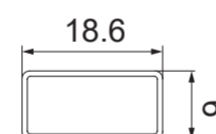
FLYSCREEN SECTIONS



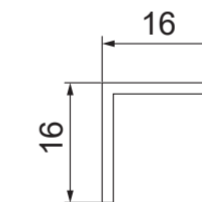
HFF180
EXTRUDED FLY FRAME
25 X 11MM



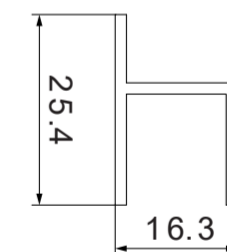
HFF181
EXTRUDED FLY FRAME
21 X 9MM



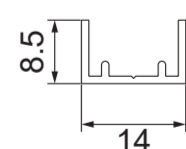
HFF184
EXTRUDED
SPREADER BAR



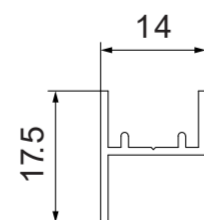
DT3355
SINGLE TOP TRACK



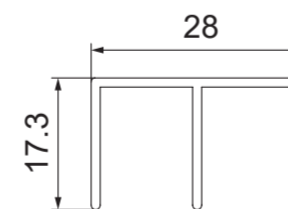
DT3557
FACE FIX SINGLE
TOP TRACK



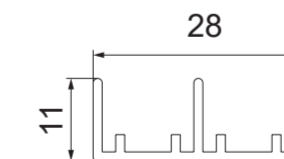
DT3553
SINGLE BOTTOM
TRACK



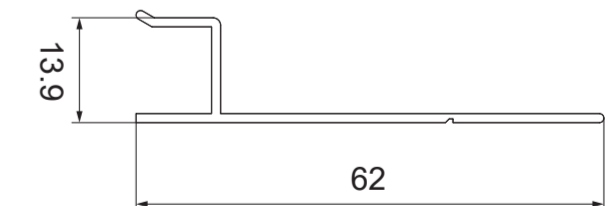
DT3558
SINGLE BOTTOM TRACK
FACE FIX



DT3354
DOUBLE TOP TRACK

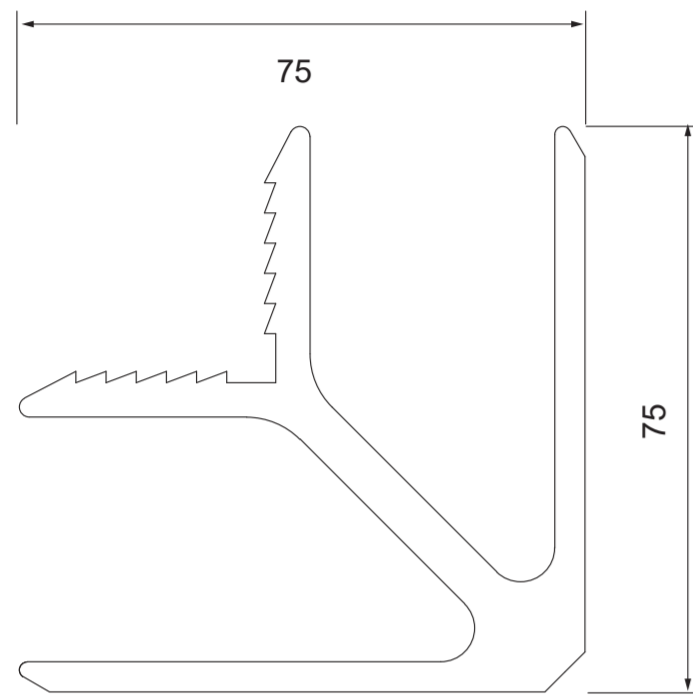


DT3353
DOUBLE BOTTOM TRACK

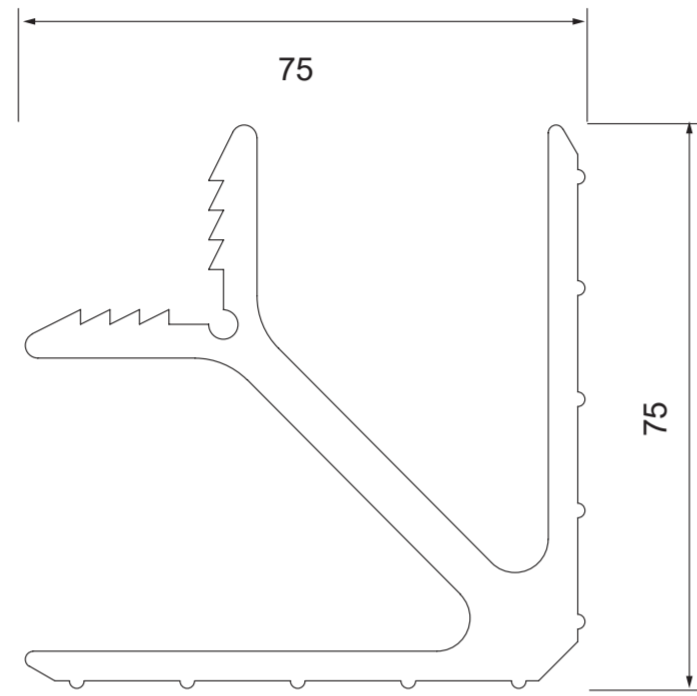


DT3356
FLYSCREEN SKIRTING
CHAINWINDER ADAPTOR

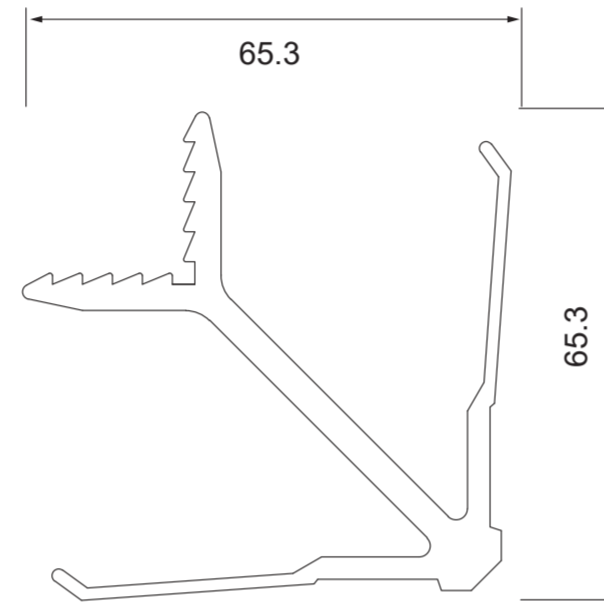
SECURITY DOOR SECTIONS - Pg4 - SCALE 1:1



2651 HEAVY DUTY
SECURITY DOOR CORNER
SUIT DF001/006/003, PTD001



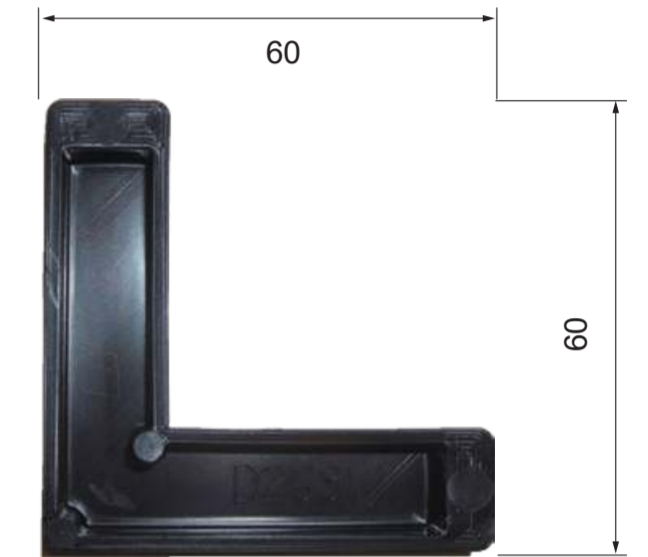
2654 SECURITY DOOR
CORNER STAKE
SUIT DF20



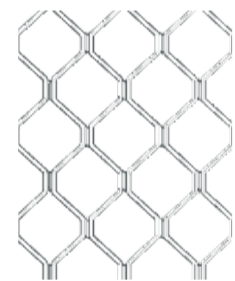
2650 LIGHT DUTY
SECURITY DOOR CORNER
SUIT DF001/006/003



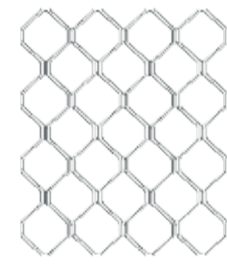
2652 SECURITY DOOR
CORNER STAKE NYLON
SUIT DF001/003/006



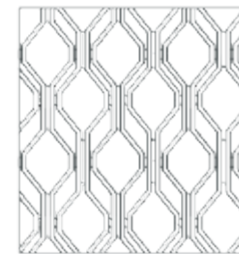
2691 BUILD OUT
CORNER STAKE
SUIT DJ3250/3260



7MM SINGLE DIAMOND
GRILLE



SMALL DIAMOND GRILLE
*QLD ONLY



DOUBLE DIAMOND
GRILLE



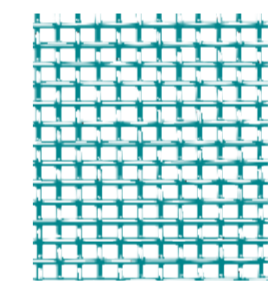
DVA ONE WAY MESH
(ACCEPTS DF012) - 1.6MM



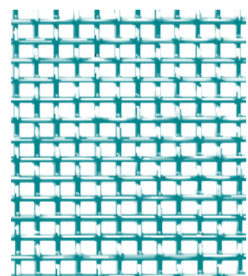
HEAVY DVA MESH
(ACCEPTS DF013) - 3.0MM



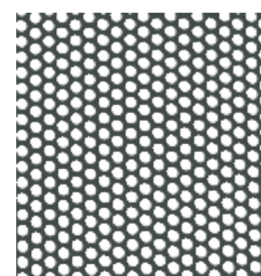
HALF PANEL
- EMBOSSED



STAINLESS STEEL MESH
316 MARINE GRADE HIGH TENSILE
HOLE APERTURE 1.64 X 1.64MM



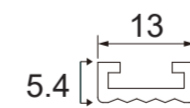
GALVANISED STEEL SHEET
HOLE APERTURE 1.64 X 1.64MM



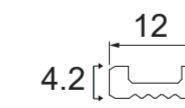
PERFORATED ALUMINIUM MESH
HOLE APERTURE 2 X 2MM



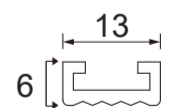
COLONIAL CAST GRILLS



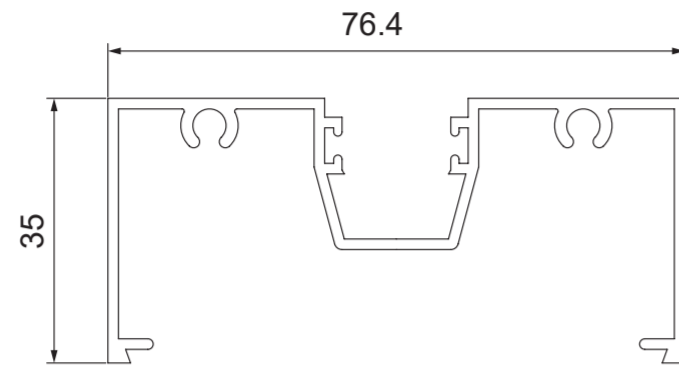
PSH-001
1.6MM - 2.0MM PERFORATED
SHEET FIXING BEAD



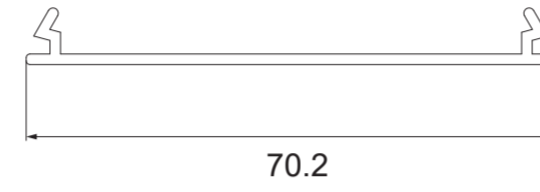
DF013
3.0MM HEAVY DVA PERFORATED
SHEET FIXING BEAD



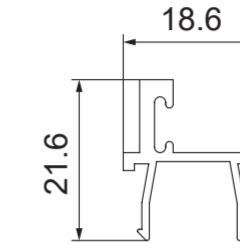
DF012
1.6MM MESH FIXING BEAD



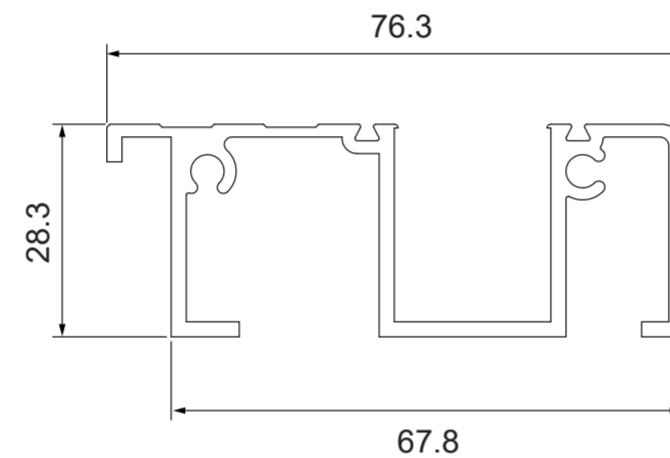
TJ701
76MM MAIN FRAME
FITS WITH TJ705/706/735/704



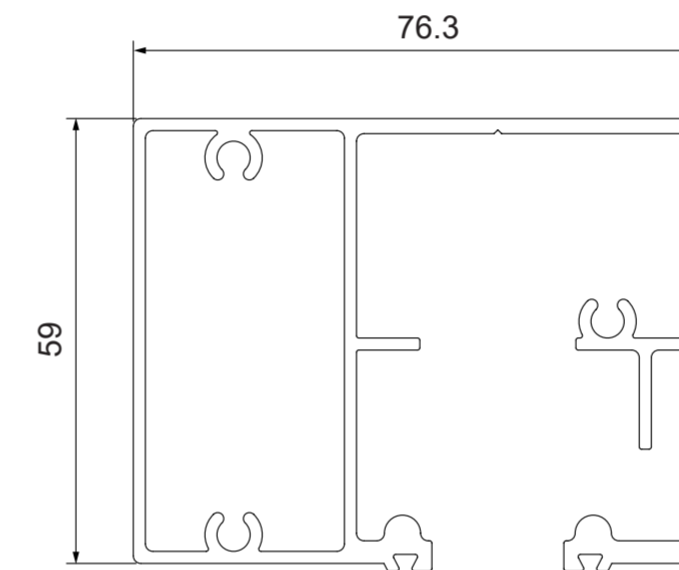
TJ705
76MM FLUSH ADAPTOR
FITS WITH TJ701/702/718



TJ735
35MM DOOR STOP
FITS WITH TJ701/704



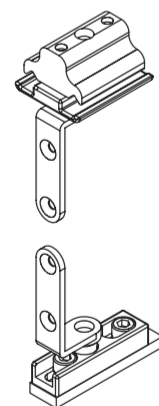
TJ787
SCREENFOLD SILL 76MM



TJ789
SCREENFOLD HEAD 76MM

HARDWARE

**not to scale*



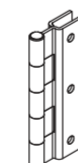
3301
PIVOT ASSEMBLY SET * #



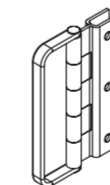
3302
BOTTOM GUIDE * #



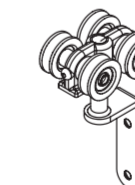
3303
HANGER * #



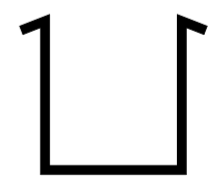
3305
HINGE * #



3306
HANDLE HINGE * #

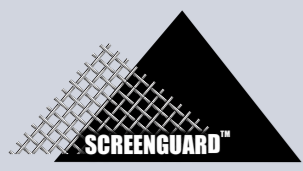


3313
INTERMEDIATE HANGER * #

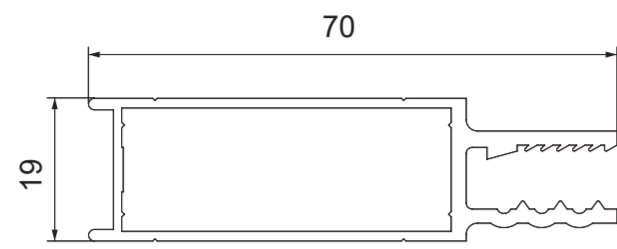


1680-H
CHANNEL INSERT (6.5M) *
SUITS TJ787

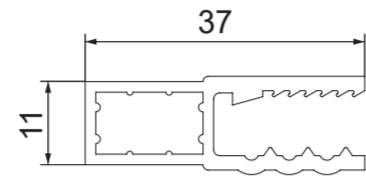
SUITS REBATED DOOR FRAMES E.G. DF001/003/006/20 AND AU01001



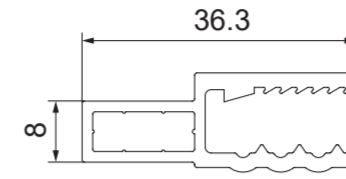
SCREENGUARD EXTRUSIONS - SCALE 1:1



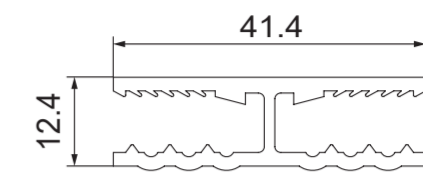
AU01001
SCREENGUARD DOOR FRAME



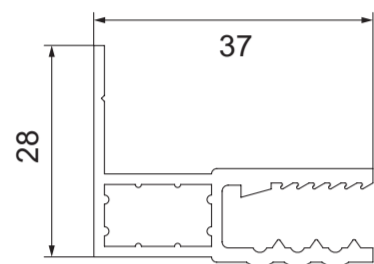
AU01002
SCREENGUARD WINDOW
FRAME 11MM



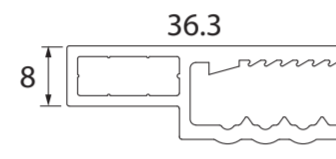
AU01003
SCREENGUARD WINDOW
FRAME 8MM



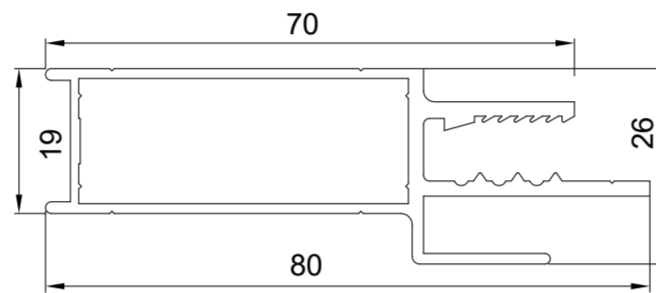
AU01004
MIDRAIL



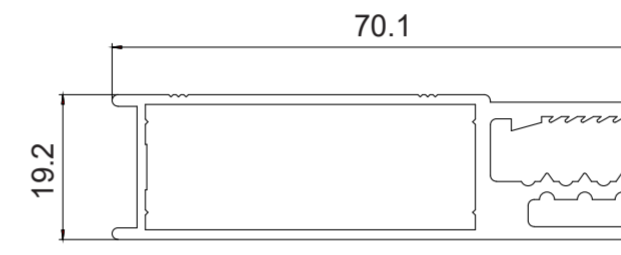
AU01006
WINDOW FRAME WITH LEG



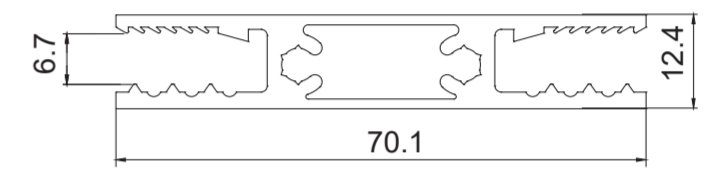
AU01008
WINDOW FRAME 8MM INLINE



AU01011
SCREENGUARD DOOR FRAME FOR
COLONIAL CAST GRILLE



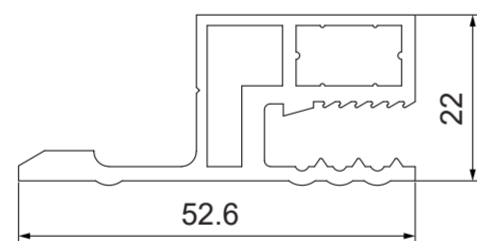
AU01013
SCREENGUARD DOOR FRAME
WITH PANEL INSERT



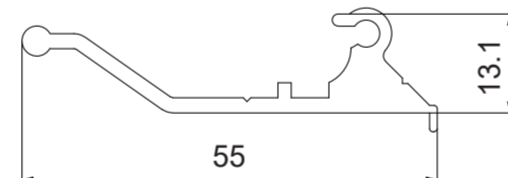
AU01014
MIDRAIL WITH SCREWFLUTES



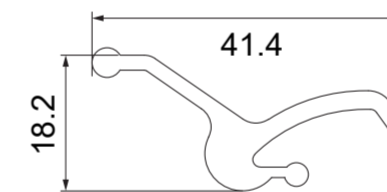
ACCESS® SCREENGUARD ACCESS



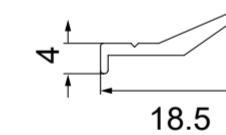
AU03001
ACCESS® WINDOW SASH



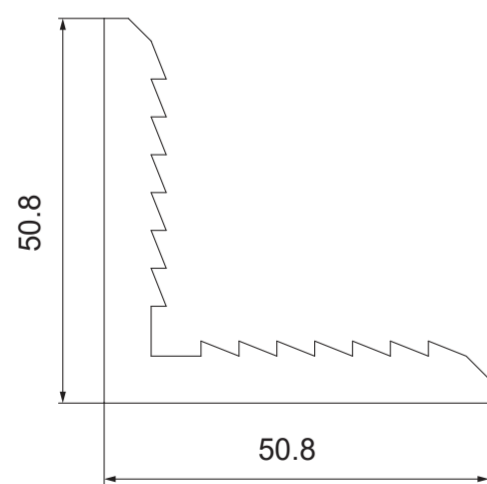
AU03002
ACCESS® LATCH SUPPORT - BLACK



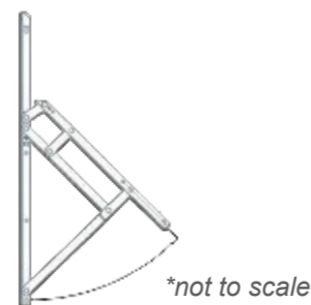
AU03003
ACCESS® LATCH - BLACK



AU03004
ACCESS® CATCH - BLACK



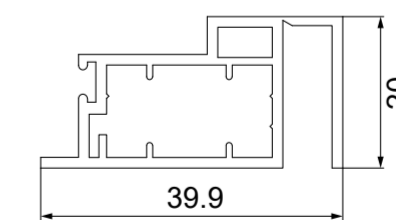
2653
ACCESS® ALUMINIUM CORNER
STAKE. FITS WITH AU03005



1210 ACCESS® STAINLESS STEEL
254MM 4-BAR AWNING STAY
(MAX = 450MM / 14KG / 84°) STACK
HEIGHT = 13MM



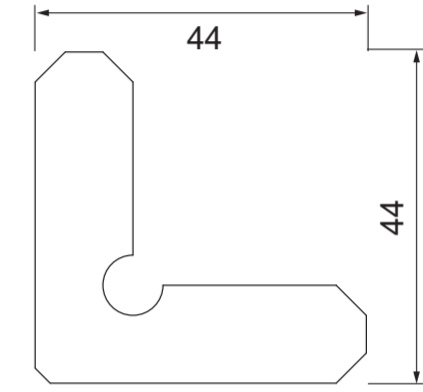
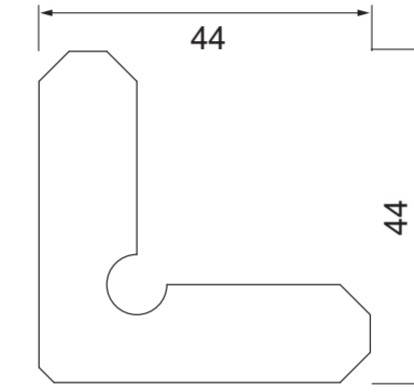
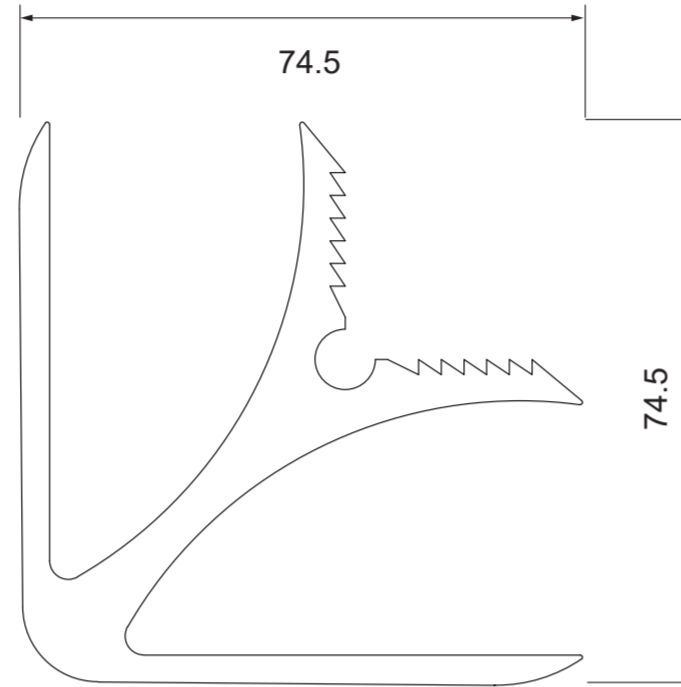
1853
ACCESS® PANIC BREAK-OUT HANDLE
SPRING.
BAG OF 20



AU03005
ACCESS® OUTER FRAME



CORNER STAKES



HARDWARE AND TOOLING

**not to scale*



2510-FIRE-R100
L-SEAT ONLY
100M/ROLL



2510-FIRE-W100
WEDGE ONLY
33 X 3M PACK



1966
POWAWASH CONCENTRATE
BOTTLE (100ML)



2515
MANUAL WEDGE
ASSEMBLY TOOL



2516
MOULDED REPLACEMENT BLOCK
SUITS 2515 HAND TOOL



2522
70MM SCREENGUARD
MIDRAIL JIG



2920
SCREENGUARD HAND HELD
TOOL (AIR OPERATED)



2921
SCREENGUARD WEDGE
INSERTION BLOCK



4S-FH1022SD-GAL
FLAT HEAD SCREW (SELF TAPPER,
GALVANISED, 10G GAUGE, 22MM
LENGTH) CLASS 3 GAL



4S-PFFH1809SD-G
SCREW PENTAFORCE
SELF DRILL 8-18 X9.5 GAL



4S-PFFH1812SD-G
SCREW PENTAFORCE
SELF DRILL 8-18 X 12.5 GAL



4S-PFFH1825SD-G
SCREW PENTAFORCE
PAN HEAD 8-18 X 25 GAL



2532
SCREENGUARD ATTENUATION PLATE
- BLACK ANODISED (140MM X 25MM)



2910
SECURITY DOOR PUNCH
(MANUAL, WITH STAND)



2912
SECURITY WINDOW CENTRE
PUNCH (AIR OPERATED)



2915
SECURITY DOOR
SITE TOOL



2916-AB
AIR OPERATED STAKE PUNCH
SUITS 2652 OR 2659 CORNER



2914
WINDOW CORNER CRIMPER FOR
BENCH (AIR OPERATED)



2917
PORTABLE DRILL JIG
SUITS SECURITY DOOR CORNER



2919
PORTABLE DRILL JIG
TO SUIT ROLLER



2901
BENCH MAT (1.2M WIDTH,
15M ROLL, EOM - P/MTR)

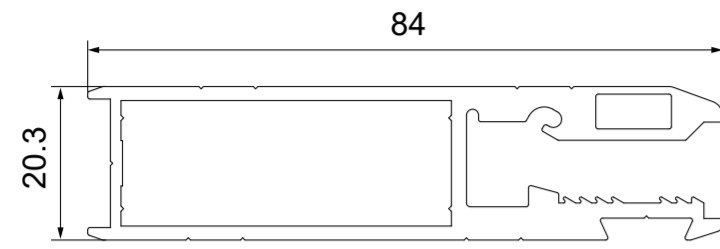


1950
TOUCH-UP PAINT
(VARIOUS COLOURS)

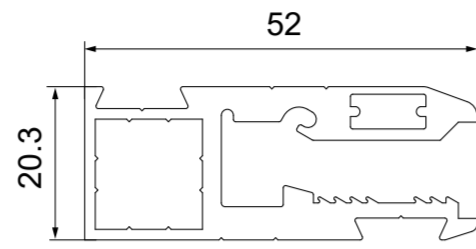


1960
LANOTEC GENERAL
PURPOSE LIQUID
LANOLIN 400G

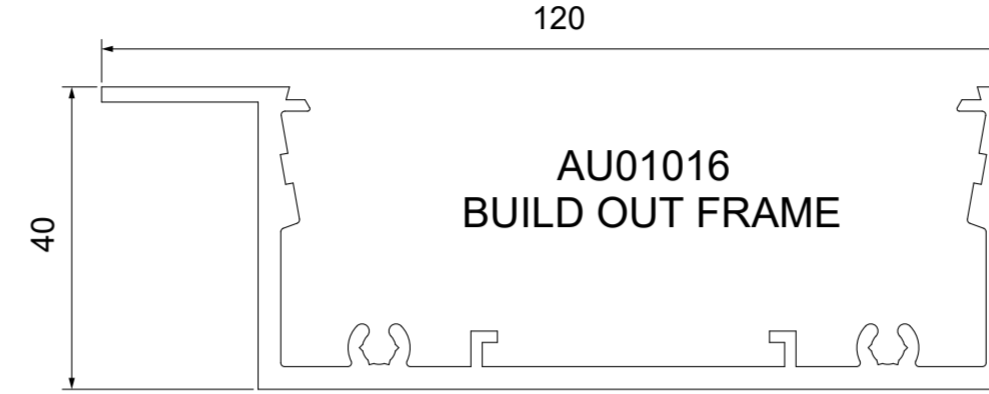
1961
LANOTEC CITRA
FORCE CLEANER
DEGREASER 400G



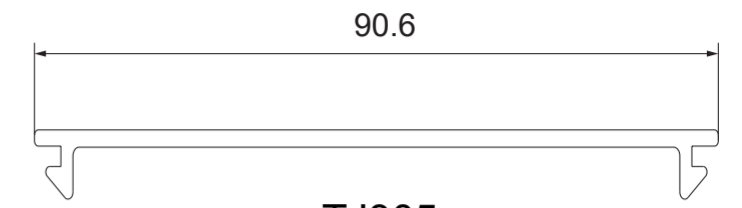
AU01012
DOOR FRAME



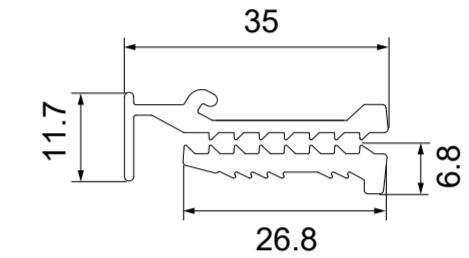
AU01015
WINDOW FRAME



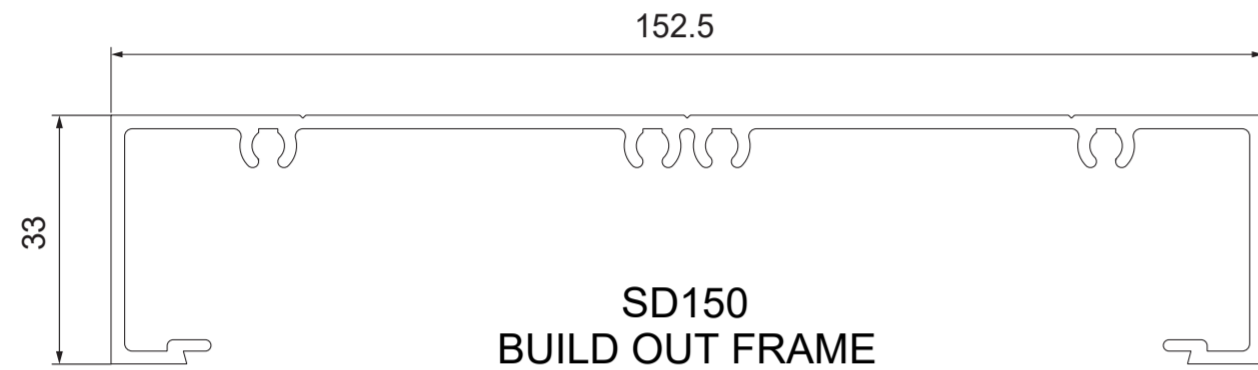
AU01016
BUILD OUT FRAME



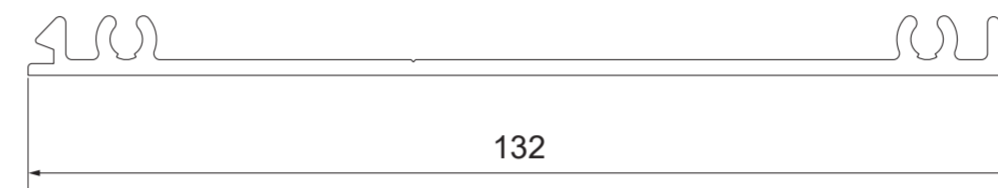
TJ305
BUILD OUT FRAME COVER
(FITS AU01016)



2541
PVC 2-PART WEDGE / SEAT TO
SUIT AU01012 AND AU01015



SD150
BUILD OUT FRAME

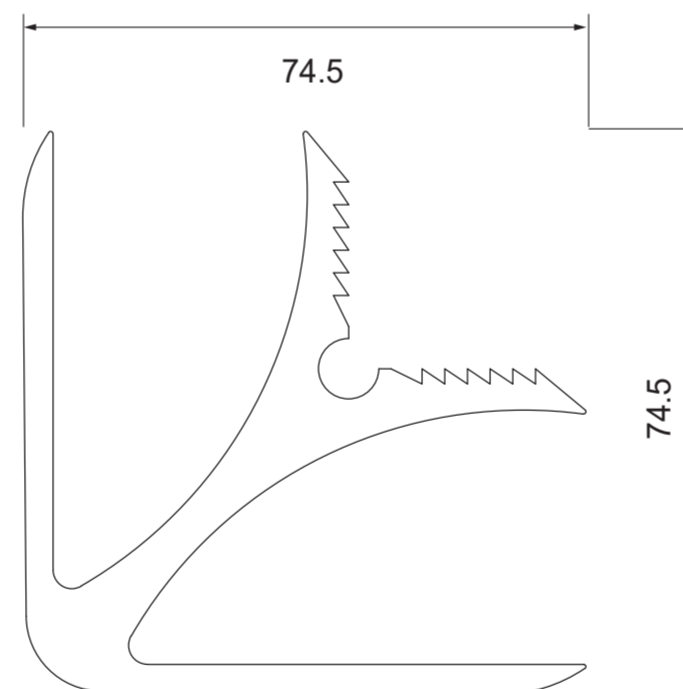


JM2865
BUILD OUT FRAME COVER
(FITS SD150)

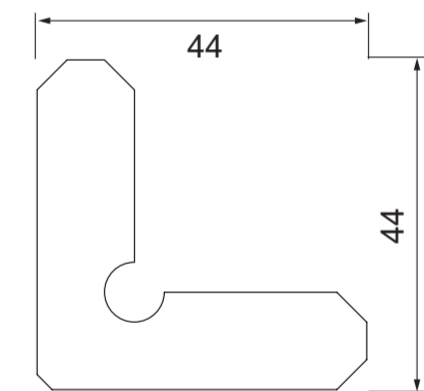


2659
NYLON CORNER STAKE
TO SUIT
AU01001 & AU01012

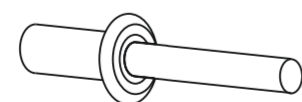
CORNER STAKES



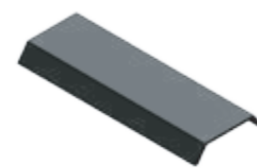
2655
CORNER STAKE (7.4MM)
TO SUIT
AU01001 & AU01012



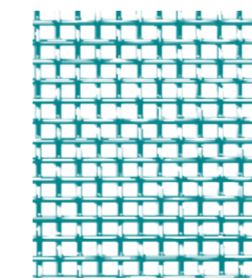
2679
CORNER STAKE
TO SUIT AU01015



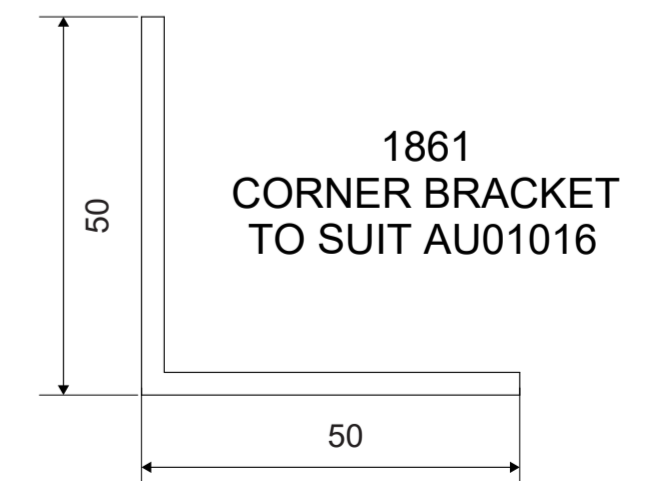
4R-D40SS
4MM SS RIVETS



1675
COVER STRIP - 100M
TO SUIT AU01012 AND AU01015



STAINLESS STEEL MESH
304 GRADE HIGH TENSILE
HOLE APERTURE 1.98 X 1.98MM



1861
CORNER BRACKET
TO SUIT AU01016