



Austral Lock
Expect to be protected

VERTA™ SERIES





Verta [värd]

1. From Swedish (“worth, worthy”)

2. (archaic) match (equal or superior in comparison)

A NEW LEVEL OF DESIGN

Design elevates the functional to the sublime. Clever design is unobtrusive, yet distinct. Beautiful design delights the senses, challenges us and inspires joy every day.

Inspiration is a source of innovation. Stemming from modern trends, Verta showcases the synchronicity between inspiration, innovation, design and style.

Architectural lines create surfaces that reflect light in every direction; tactile surfaces surprise and delight; lineal planes soften to curved edges – Verta’s design features set a new standard for innovative style.



**“Design is a tool we
use to touch people,
engage their senses and
enhance their lives.”**

Michael Graves, Architect

DESIGNED FOR YOU

Our design story starts with a vision of a designer range of door furniture with a modern twist.

A team of design specialists developed that vision further, influenced by classic designs, modern trends and architectural spaces.

Starting with a classic square shape, the designers added in subtle design features to define, elevate and modernise.

From the bevelled edges to soften hard lines, architectural lines to reflect light and gently curved handles for tactility, Verta is a modern reinvention of a classic; precisely engineered functionality with design at its core.



LINEAL

*Subtle, architectural lines
create planes to reflect light
in every direction*

TACTILE SURFACE

*Straight edges transition to gently
rounded backs, curving into your hand
and creating a soft touching point*



STAINLESS STEEL

Constructed from marine-grade stainless steel gives Verta strength, presence and lasting beauty

RADIUS CORNERS

Hard, straight lines soften into a radius corner, creating a juxtaposition between straight and curved



ALL THE ELEMENTS

Beautifully designed products need attention to detail from creation to completion. Every element of Verta has been sourced, crafted and finished by experts.

Each piece of Verta is constructed from stainless steel. We start with one of the highest grades of stainless steel available - 316 marine-grade - sourced from an expert in the material.

No compromise is made during construction. Solid stainless steel is used throughout, radius corners are micro-millimetre perfect and curved edges are polished with watch-maker precision.

After construction, Verta is tested. And tested. And tested again. To endurance standards of 200,000 cycles.

Verta's precision engineering, uncompromised design and superior construction is the perfect balance between functionality and beautiful design.





GRAND ENTRANCES

Create a grand entrance to your home with Verta's Entrance Pull Handle. Make a bold statement with your front door and showcase stylish accents throughout your home.

Enchant your visitors with classic lines and modern design; delight senses with tactile surfaces, hard steel and soft edges. Enjoy a grand entrance each time you enter your home.

800mm Entrance Pull Handle
SSS16000
MB16000

7 year tarnish / 10 year mechanical warranty.
Constructed from 316 marine-grade stainless steel.
Suitable for internal and external use.
Available in satin stainless steel and PVD matt black finishes.

**“Beauty awakens
the soul to act.”**

Dante Alighieri



Sliding Door



Euro Cylinder Escutcheon
SSS15004
MB15004



Flush Pull
SSS15002
MB15002



Sliding Door Pull Handle
SSS15000
MB15000

VISTAS

Bring the outside in. Create open spaces or snug hideaways. Transform a room, change spaces and enhance beautiful vistas. Verta's range of sliding door furniture gives you the freedom to create spaces you love.

7 year tarnish / 10 year mechanical warranty.
Constructed from 316 marine-grade stainless steel.
Suitable for internal and external use.
Available in satin stainless steel and PVD matt black finishes.



Mortice Lock



Sliding Door Mortice Lock
SSH15100 (28.5mm backset)
SSH16100 (40mm backset)



Hinged Door Mortice Lock
SR2LAS (Face mount)
SR2LAF (Flush mount)
ACCVERTA (fitting kit for sorrento mortice lock)

PEACE OF MIND

Sleep soundly knowing you are protecting those that are important. Australian engineered and made to meet local conditions, ensures it works first time, every time.

Application	Sliding Door	Hinged Door
Mortice backset	28.5mm and 40mm	30mm
Door thickness	32mm - 45mm	19mm - 45mm
Construction	Stainless steel beak and catch plate	
Certification	AS4145.2 2008	
Warranty	10 years	
Additional		Two stage bolt can be extended from 9.8mm to 16mm Multi point kit available



**“Fashion is architecture:
It is a matter of proportions.”**

Coco Chanel

Hinged Entry



External Long Plate Lever
SSS13005
MB13005



Internal Long Plate Lever with turn snib
SSS13003
MB13003

OPEN UP

Close one door, open another. Hide away or reveal a room. Match the back door to the front. Inside or out, Verta's designer accents reflect and enhance your individual style.

7 year tarnish / 10 year mechanical warranty.
Constructed from 316 marine-grade stainless steel.
Suitable for internal and external use.
Available in satin stainless steel and PVD matt black finishes.
Internal plate features a turn snib for convenient locking.





**“Love of
beauty is taste.
The creation of
beauty is art.”**

Ralph Waldo Emerson

Euro Cylinder Escutcheon



SSS15004

MB15004

Sliding Door Pull Handle

300mm length



SSS15000

MB15000

Entrance Pull Handle

800mm length



SSS16000

MB16000

THE VERTA SERIES

A classic shape reinvented with modern design and precision engineering, Verta will enhance your home inside and out. From the striking entrance pull handle, to the ingenious design and detailing of the levers, Verta will add designer accents to every aspect of your home.

With a substantial 7 year tarnish and 10 year mechanical warranty, Verta is an investment in quality and style for now and the future.

Refer to the Austral website for care and maintenance instructions.

Flush Pull

250mm length



SSS15002



MB15002

Long Plate Lever

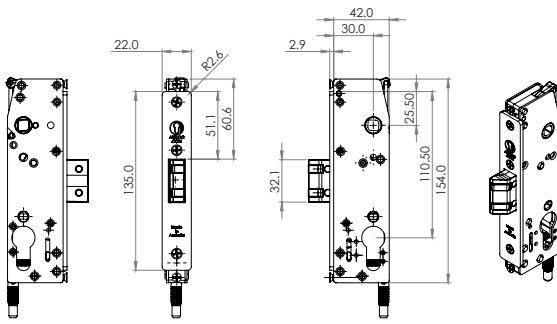


External
SSS13005
MB13005

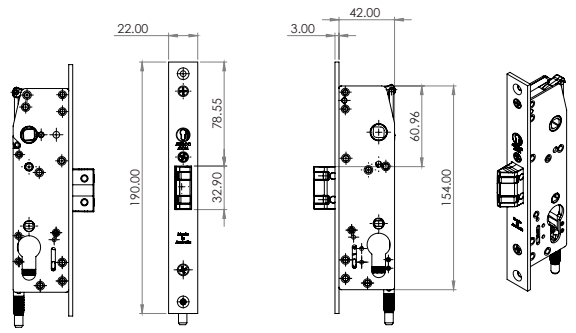


Internal with snib
SSS13003
MB13003

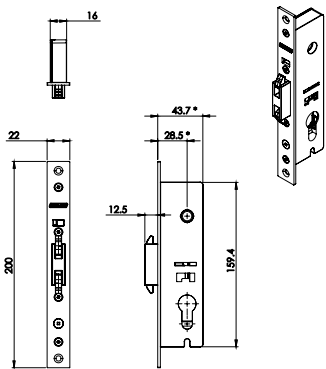
Dimensions



SORRENTO FLUSH MOUNT

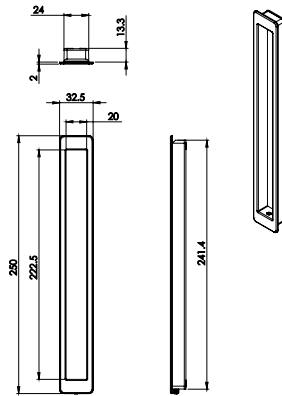


SORRENTO FACE MOUNT

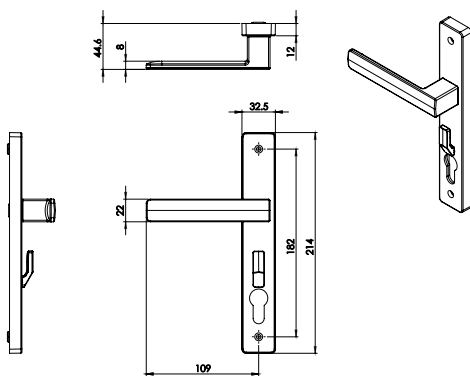


SLIDING MORTICE LOCK 28.5MM

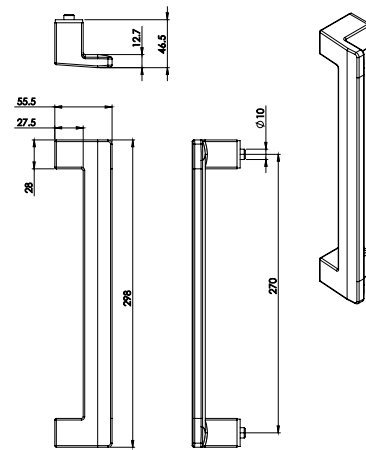
SLIDING MORTICE LOCK 40MM
 * - Dim 28.5mm is 40.0mm
 * - Dim 43.7mm is 55.2mm



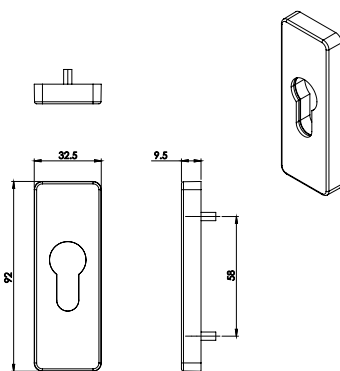
VERTA FLUSH PULL



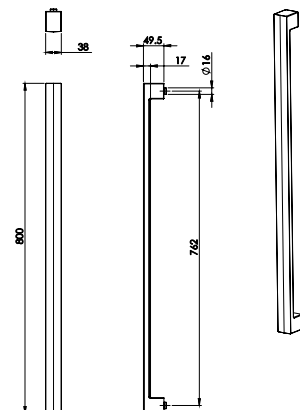
VERTA LONG PLATE LEVER



VERTA SLIDING DOOR PULL HANDLE



VERTA EURO CYLINDER ESCUTCHEON



VERTA 800MM ENTRANCE PULL HANDLE

Ordering Codes

Kit Codes	Description
SSSFPAK	Sliding Mortice Lock Flush Pull Set Stainless Steel Less Cylinder (Contains two flush pulls, two euro escutcheons and sliding mortice lock less cylinder)
MBSFBPAK	Sliding Mortice Lock Flush Pull Set Matt Black Less Cylinder (Contains two flush pulls, two euro escutcheons and sliding mortice lock less cylinder)
SSS800PHPAKB2B	Sliding Mortice Lock Pull Handle Stainless Steel Less Cylinder (Contains a 800mm back to back pull handle set, two euro escutcheons and sliding mortice lock less cylinder)
MBS800PHPAKB2B	Sliding Mortice Lock Pull Handle Matt Black Less Cylinder (Contains a 800mm back to back pull handle set, two euro escutcheons and sliding mortice lock less cylinder)
SSSOSPAPAKB2B	Sliding Mortice Lock Offset Pull Handle Stainless Steel Less Cylinder (Contains a 300mm offset pull handle set, two euro escutcheons and sliding mortice lock less cylinder)
MBSOSPAPAKB2B	Sliding Mortice Lock Offset Pull Handle Matt Black Less Cylinder (Contains a 300mm offset pull handle set, two euro escutcheons and sliding mortice lock less cylinder)
SSHLPMPPAK	Hinged Multi Point Kit Stainless Steel Less Cylinder (Contains lever on plate furniture, multipoint kit and 30mm backset hinged euro mortice lock less cylinder)
MBHLPMPPAK	Hinged Multi Point Kit Matt Black Less Cylinder (Contains lever on plate furniture, multipoint kit and 30mm backset hinged euro mortice lock less cylinder)
SSHLPAPAK	Hinged Entry Set Stainless Steel Less Cylinder (Contains lever on plate furniture and 30mm backset hinged euro mortice lock less cylinder)
MBHLPAPAK	Hinged Entry Set Matt Black Less Cylinder (Contains lever on plate furniture and 30mm backset hinged euro mortice lock less cylinder)

About Allegion™

Allegion (NYSE: ALLE) is a global pioneer in seamless access, with leading brands like CISA®, Interflex®, LCN®, Schlage®, SimonsVoss® and Von Duprin®. Focusing on security around the door and adjacent areas, Allegion secures people and assets with a range of solutions for homes, businesses, schools and institutions. Allegion had US\$2.7 billion in revenue in 2018, and sells products in almost 130 countries.

For more, visit www.allegion.com.au / www.allegion.co.nz



Allegion Australia

Freephone 1800 098 094
Freefax 1800 098 095
Email auinfo@allegion.com
www.allegion.com.au

Allegion New Zealand

Freephone 0800 477 869
Freefax 0800 477 868
Email nzinfo@allegion.com
www.allegion.co.nz

999/AUB_VERTA
© 2019 Allegion

