





# COMMERCIAL FRAMING

## SINGLE GLAZED

76mm x 35mm Centre Single Glazed .....	175
101.6mm x 44.4mm Centre Single Glazed .....	179
150mm x 44.4mm Single Glazed - Centre and/or Offset Pocket.....	187
150mm x 45mm Single Glazed - Centre and/or Offset Pocket.....	188
100mm x 50mm Front Single Glazed.....	190
150mm x 50mm Front Single Glazed.....	197
Single Glazed Components.....	201

## DOUBLE GLAZED

101.6mm x 50mm Centre Double Glazed.....	205
101.6mm x 44.4mm Centre Double Glazed.....	210
150mm x 50mm Centre Double Glazed .....	211
100mm x 50mm Front Double Glazed .....	215
150mm x 50mm Front Double Glazed .....	220
Double Glazed Components.....	225

## CAPPED FRONT GLAZED

Capped Front Glazed Suites.....	227
103mm x 50mm Capped Front Glazed .....	228
150mm x 50mm Capped Front Glazed .....	229
Capped Front Glazed Sections.....	230
Capped Front Glazed Components.....	232

## 45mm PARTITION SUITE

45mm Partition Sections.....	235
45mm Partition Suite Components .....	236

## GLAZING CHANNELS

Glazing Channels.....	239
-----------------------	-----

## FIXED LOUVRES

Fixed Louvres.....	241
--------------------	-----



**D**ARLEY  
ALUMINIUM

SINGLE GLAZED

# 76MM X 35MM CENTRE SINGLE GLAZED



1620



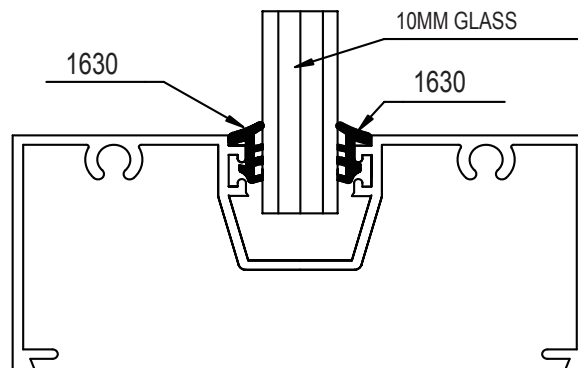
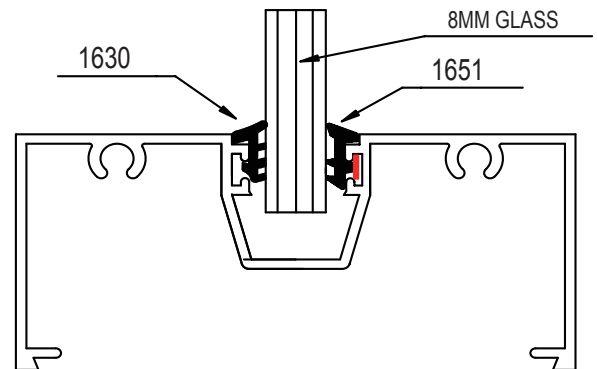
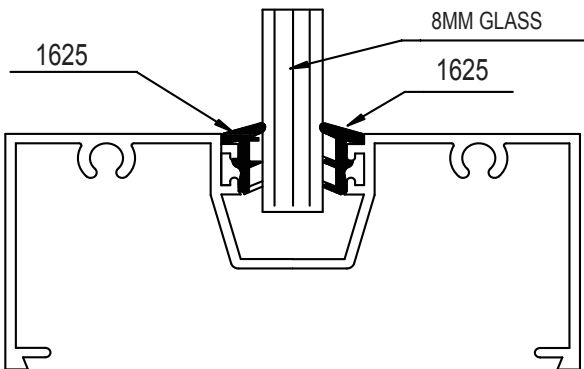
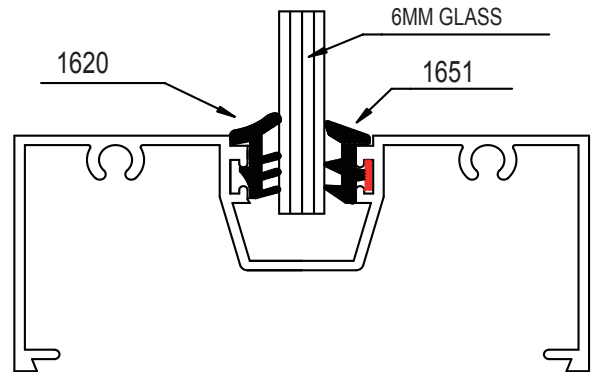
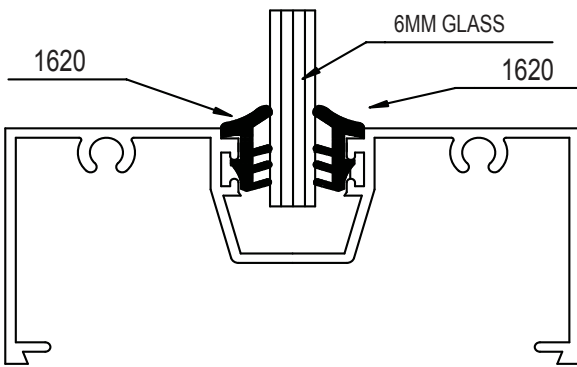
1625



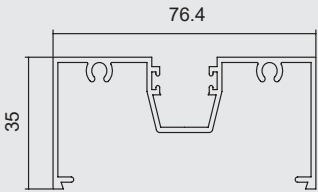
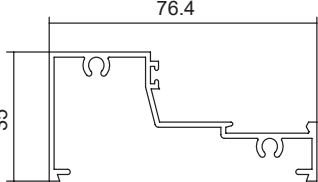
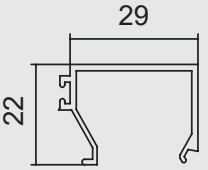
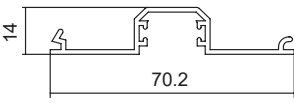
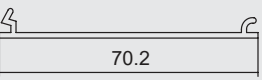
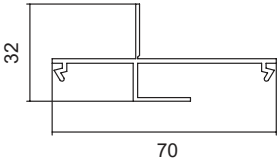
1630




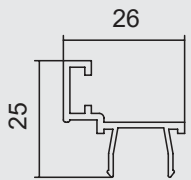

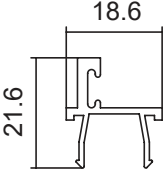
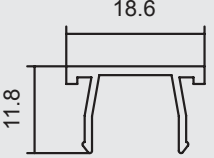
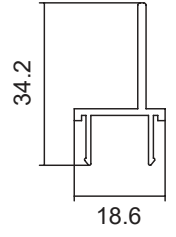
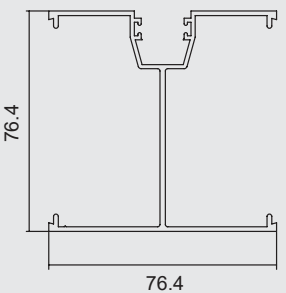
1651 Captive



# 76MM X 35MM CENTRE SINGLE GLAZED

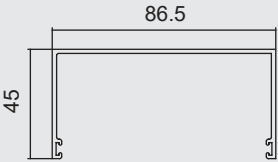

	CODE	DESCRIPTION	LGTH.	FINISH	GROUP ID
	TJ701	76mm Main Frame Fits with TJ705/706/735/704	6.5m	M/F CL/ANOD	8201 8202 8201
	TJ702	76mm Sill Section Fits with TJ703/704/705	6.5m	M/F CL/ANOD	8201 8202 8201
	TJ703	76mm Sill Bead Fits with TJ702	6.5m	M/F CL/ANOD	8201 8202 8201
	TJ704	76mm Glazing Adaptor Fits with TJ701/702/706/735	6.5m	M/F CL/ANOD	8201 8202 8201
	TJ705	76mm Flush Adaptor Fits with TJ701/702/718	6.5m	M/F CL/ANOD	8201 8202 8201
	TJ751	Reveal Clip In Fits with TJ701	6.5m	M/F CL/ANOD	8201 8202

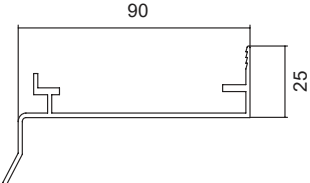

# 76MM X 35MM CENTRE SINGLE GLAZED

CODE	DESCRIPTION	LGTH.	FINISH	GROUP ID	
TJ706	45mm Door Stop Fits with TJ701/704  1610, 1611, 1614	6.5m	M/F CL/ANOD	8201 8202 8201	
TJ735	35mm Door Stop Fits with TJ701/704  1720	6.5m	M/F CL/ANOD	8201 8202 8201	
TJ707	Pocket Filler Fits with TJ701/702	6.5m	M/F CL/ANOD	8201 8202 8201	
TJ730	35mm Awning Stop Fits with TJ701/704	6.5m	M/F CL/ANOD	8201 8202 8201	
TJ718	Corner Post Fits with TJ704/705/706/707	6.5m	M/F CL/ANOD	8201 8202 8201	

 Key hardware.

# 76MM X 35MM CENTRE SINGLE GLAZED

	CODE	DESCRIPTION	LGTH.	FINISH	GROUP ID
	TJ760	Sub Head	6.5m	M/F	8201
		 1610, 1710		CL/ANOD	8202

	TJ759	Stepped Sub Sill	6.5m	M/F	8201
				CL/ANOD	8202



  Key hardware.

# 101.6MM X 44.4MM CENTRE SINGLE GLAZED



1620



1625



1630



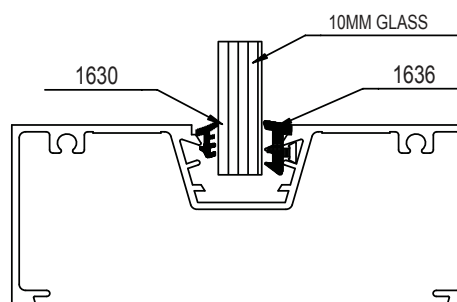
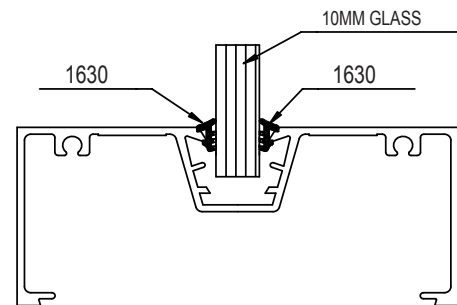
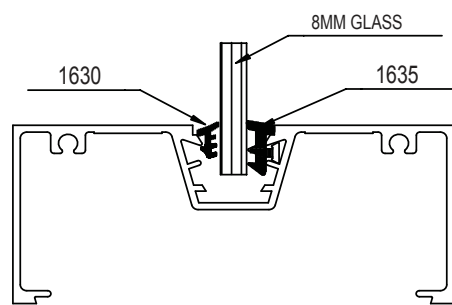
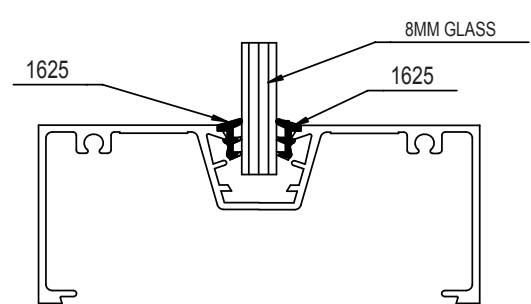
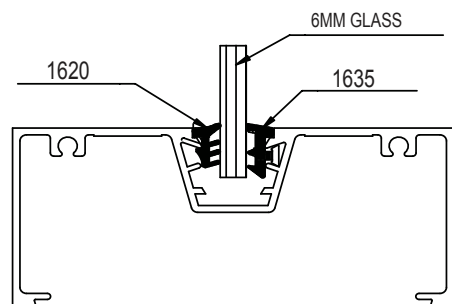
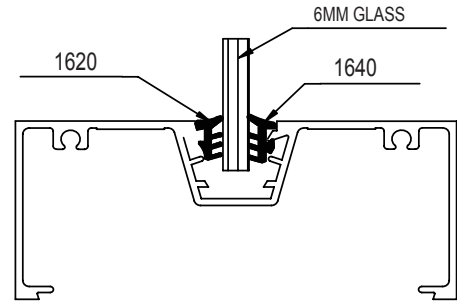
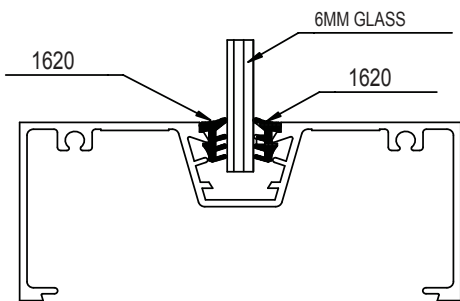
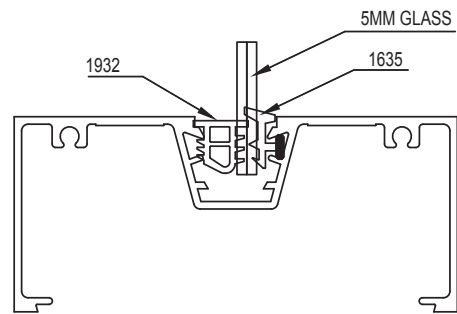
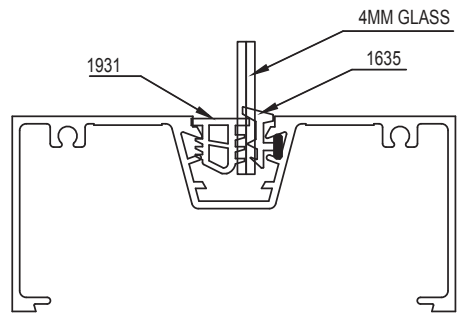
1640  
Captive



1635  
Captive

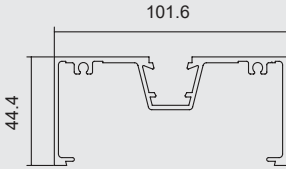
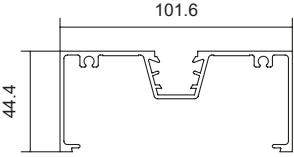
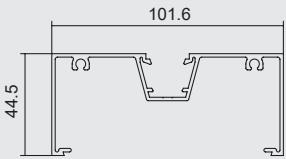
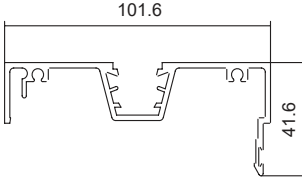

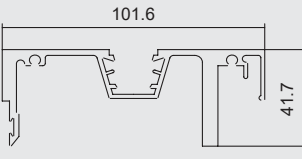

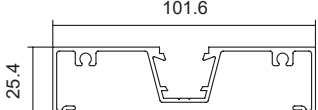


1636  
Captive



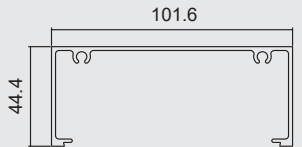
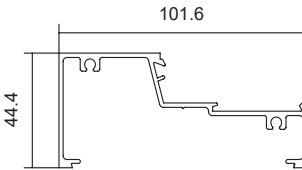
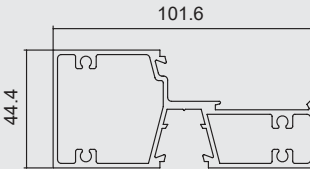
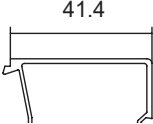
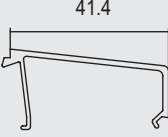
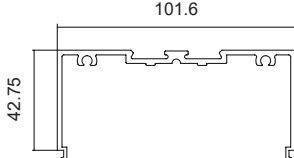
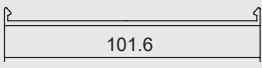


# 101.6MM X 45MM CENTRE SINGLE GLAZED

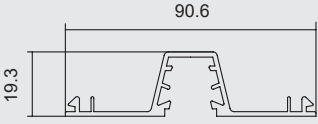
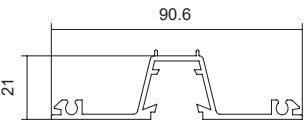
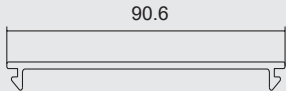
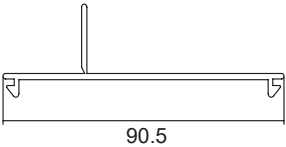
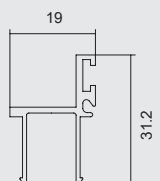

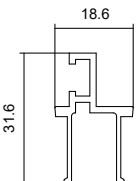

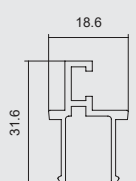

	CODE	DESCRIPTION	LGTH.	FINISH	GROUP ID
	TJ300	Heavy Duty Main Frame Fits with TJ304/305/306/307/335/342/ TJ378/720/715	6.5m	M/F CL/ANOD	8301 8302
	TJ301	Standard Main Frame - Captive Fits with TJ304/305/306/307/335/ TJ342/378/720/715	6.5m	M/F CL/ANOD BZ/ANOD	8301 8302 8301
	TJ390	Light Duty Main Frame Fits with TJ304/305/306/307/335/ TJ342/378/720/715	6.5m	M/F CL/ANOD	8301 8302
	TJ320	Self Mating Mullion - Captive Fits with TJ333/306/307/TJ335  1660	6.5m	M/F CL/ANOD BZ/ANOD	8301 8302 8301
	TJ333	Heavy Duty Mating Mullion - Captive Fits with TJ320/304/306/307/335  1660	6.5m	M/F CL/ANOD	8301 8302
	TJ360	Narrow Line Main Frame Fits with TJ305/306/307/335/342	6.5m	M/F CL/ANOD	8301 8302

 Key hardware.

# 101.6MM X 44.4MM CENTRE SINGLE GLAZED

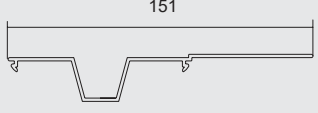
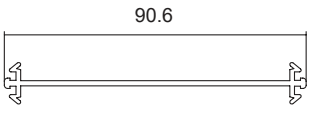
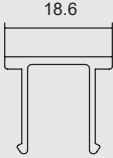
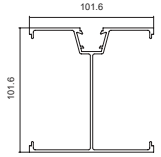
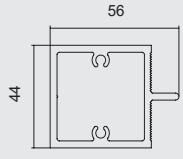

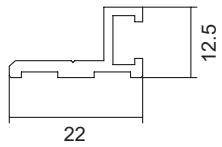
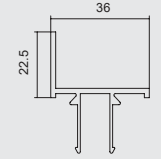
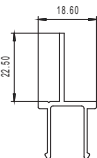

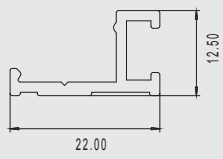
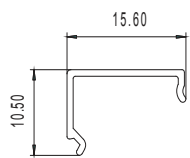
CODE	DESCRIPTION	LGTH.	FINISH	GROUP ID	
TJ367	Plain Frame Fits with TJ304/305	6.5m	M/F CL/ANOD BZ/ANOD	8301 8302 8301	
TJ302	Sill Section - Captive Fits with TJ303/303B/304/305/342	6.5m	M/F CL/ANOD BZ/ANOD	8301 8302 8301	
TJ362	Transom Fits with TJ303/303B/306/307	6.5m	M/F CL/ANOD	8301 8302	
TJ303	Sill Bead Fits with TJ302/362	6.5m	M/F CL/ANOD BZ/ANOD	8301 8302 8301	
TJ303B	Sill Bead - Sloping Fits with TJ302/362	6.5m	M/F	8301 8302	
TJ350	Transom For Concealed Closer Fits with TJ314/351	6.5m	M/F CL/ANOD	10001 10002	
TJ351	Transom Cover Plate Fits with TJ350	6.5m	M/F CL/ANOD	10001 10002	

# 101.6MM X 44.4MM CENTRE SINGLE GLAZED

	CODE	DESCRIPTION	LGTH.	FINISH	GROUP ID
	TJ304	Glazing Adaptor - Captive Fits with TJ301/302/306/307/308/335/ TJ151/152	6.5m	M/F CL/ANOD BZ/ANOD	8301 8302 8301
	TJ364	Heavy Duty Adaptor With Screw Flutes Fits with TJ301/302/306/307/308/335	6.5m	M/F CL/ANOD	8301 8302
	TJ305	Flush Adaptor Fits with TJ301/302/367/308/JM2841	6.5m	M/F CL/ANOD BZ/ANOD	8301 8302 8301
	TJ342	Reveal Clip-In Fits with TJ301/302/300/390/360	6.5m	M/F	8301
	TJ335	35mm Door Stop Fits with TJ301/304/308/320/364/333/ TJ300/390/360  1720	6.5m	M/F CL/ANOD BZ/ANOD	9701 9702 9701
	TJ378	40mm Door Stop Fits with TJ301/304/308/320/364/333/ TJ300/390/360  1610, 1611, 1614	6.5m	M/F CL/ANOD	9701 9702
	TJ306	45mm Door Stop Fits with TJ301/304/308/320/364/333/ TJ300/390/360  1610, 1611, 1614	6.5m	M/F CL/ANOD BZ/ANOD	9701 9702 9701

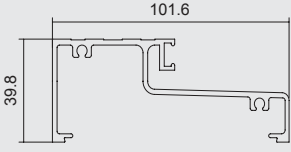

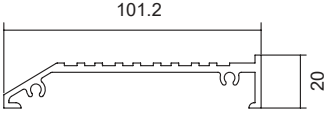
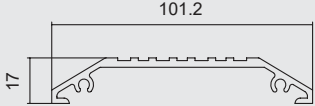
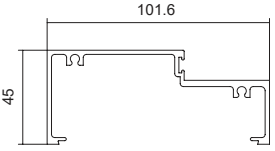

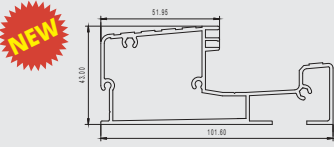


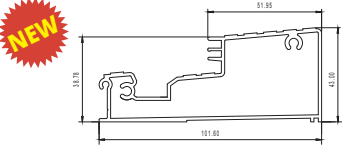


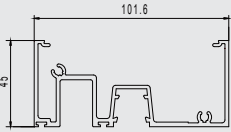

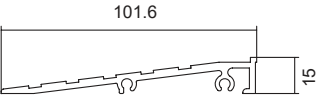

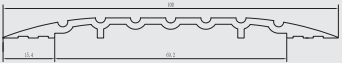

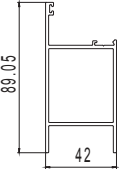
 Key hardware.

# 101.6MM X 44.4MM CENTRE SINGLE GLAZED

CODE	DESCRIPTION	LGTH.	FINISH	GROUP ID	
TJ345	Fixing Adaptor Fits with TJ301/300/390	5.4m	M/F	8301	
TJ385	Back to Back Adaptor	6.5m	M/F	8301	
TJ307	Flush Pocket Filler Fits with TJ300/301/390/320/333/360/362/ TJ304/364/308	6.5m	M/F CL/ANOD BZ/ANOD	8301 8302 8301	
TJ308	Corner Post Fits with TJ304/305/306/307/335	6.5m	M/F CL/ANOD BZ/ANOD	8301 8302 8301	
TJ336	Structural Glazing Transom	6.5m	M/F CL/ANOD	8301 8302	
JM2809	Plant On Door Stop Fits with JM2841/2861/2846/2847/2866/ JM2867/2868  1610, 1611, 1614	6.5m	M/F CL/ANOD	9701 9702	
TJ720	35 Cityview Awning Stop Fits with TJ301/300/390/304/722/723/6161	6.5m	M/F CL/ANOD BZ/ANOD	9901 9902 9901	
TJ715	50 Awning Stop Suits TJ741/300/301/304/390	6.5m	M/F CL/ANOD BZ/ANOD	9901 9902 9901	
JM2810	Plant On Door Stop with Cover Fits with JM2811  1610	6.5m	M/F CL/ANOD	8600	
JM2811	Cover to Suit Plant On Door Stop Fits with JM2810	6.5m	M/F CL/ANOD	8600	

 Key hardware.

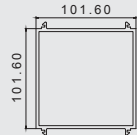

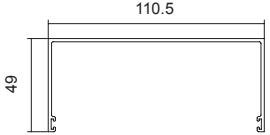

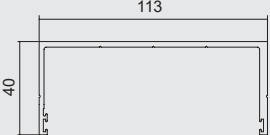

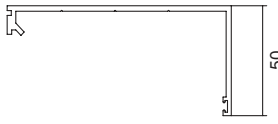



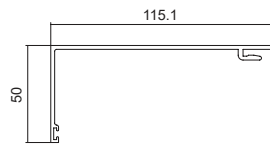

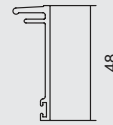
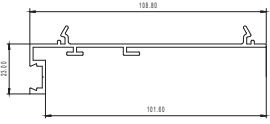

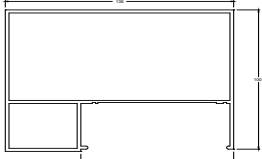

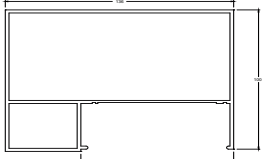
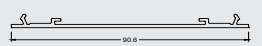

# 101.6MM X 45MM CENTRE SINGLE GLAZED

	CODE	DESCRIPTION	LGTH.	FINISH	GROUP ID
	TJ330	45mm Door Threshold Fits with TJ301/300/390  1610, 1614	6.5m	M/F CL/ANOD BZ/ANOD	8301 8302 8301
	TJ331	Low Threshold Fits with TJ301/300/390	6.5m	M/F CL/ANOD BZ/ANOD	8301 8302 8301
	TJ337	Double Sided Threshold Fits with TJ301/300/390	6.5m	M/F CL/ANOD	8301 8302
	TJ334	35mm Door Threshold Fits with TJ301/300/390/380/381/382  1720	6.5m	M/F CL/ANOD	8301 8302
	TJ348	45mm Water Rated Inward Sill   1683, 1685	6.5m	M/F CL/ANOD	8301 8302
	TJ349	45mm Water Rated Outward Sill   1683, 1685	6.5m	M/F CL/ANOD	8301 8302
	TJ346	Water-rated Head (Inward & Outward) Fits with HV031  1754	6.5m	M/F	17310
	TJ338	100mm WheelChair Threshold 	6.5m	M/F CL/ANOD	8301 8302
	TJ116	100mm Low Profile Threshold 	4.0m	M/F CL/ANOD	8301 8302
	TJ319	Corner Post 90 degree Fits With TJ300/301/309/360	6.5m	M/F	8301 8302

 Key hardware.



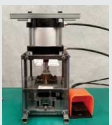
 Wheelchair access friendly

# 101.6MM X 45MM CENTRE SINGLE GLAZED

CODE	DESCRIPTION	LGTH.	FINISH	GROUP ID	
TJ347	180 Degree Post Fits with TJ300/301/309/360	6.5m	M/F CL/ANOD	8301 8302	
TJ309	49mm Sub Head  1601, 1710	6.5m	M/F CL/ANOD BZ/ANOD	10001 10002 10001	
TJ399	Heavy Duty Sub Head  1601, 1710	6.5m	M/F CL/ANOD	10001 10002	
TJ430	Two Part Sub Head Fits with TJ429  1601	6.5m	M/F CL/ANOD	10001 10002	
TJ429	Sub Head Cover Fits with TJ430  1601	6.5m	M/F CL/ANOD	10001 10002	
TJ431	Sub Head / Jamb Fits with TJ6159  1601	6.5m	M/F CL/ANOD	10001 10002	
TJ6159	Sub Head / Jamb Cover Fits with TJ431  1601	6.5m	M/F CL/ANOD	10001 10002	
RWM053	Concealed Face Fix Adapter	5.45m	M/F CL/ANOD	13001	 
VEN001R	Vent Box RH5 - pre-slotted	4m	M/F CL/ANOD	13001	 
VEN001L	Vent Box LH5 - pre-slotted	4m	M/F CL/ANOD	13001	
VEN002	Vent Cover	3m	M/F CL/ANOD	13001	 

 Key hardware.

# 101.6MM X 45MM CENTRE SINGLE GLAZED

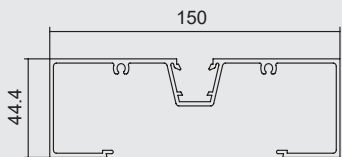
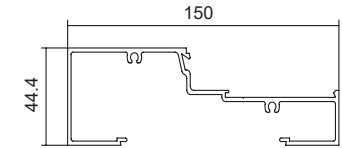
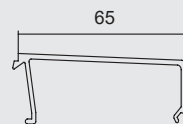

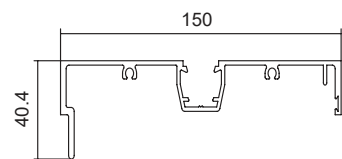
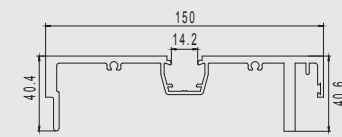
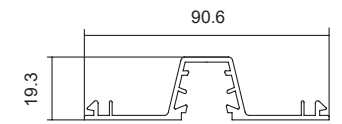

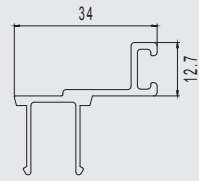

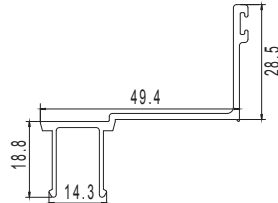
	CODE	DESCRIPTION	LGTH.	FINISH	GROUP ID
	TJ359	Light Duty Sub Sill 12mm Set Back Slotted  1601, 1930	6.5m	M/F CL/ANOD BZ/ANOD	10001 10002 10001
	TJ368	STD Sub Sill 6mm Set Back Slotted  1601, 1930	6.5m	M/F CL/ANOD	10001 10002
	TJ370	Subsill with Reveal	6.5m	M/F	8301
	TJ379	Heavy Duty Sub Sill 12mm Set Back Slotted  1601, 1930	6.5m	M/F CL/ANOD	10001 10002
	TJ259	Sub Sill 25mm Set Back Slotted  1601, 1930	6.5m	M/F CL/ANOD BZ/ANOD	10001 10002 10001
	TJ432	Sub Sill 35mm Set Back Slotted  1601, 1930	6.5m	M/F CL/ANOD	10001 10002
	TJ479	High Performance Sub Sill 22mm Set Back Slotted  1601	6.5m	M/F CL/ANOD	10001 10002
	TJ686	SPANDRAL Subheads + Sills Need 100mm + 150mm*	6.5m	M/F CL/ANOD	10001 10002
	TJ687	SPANDRAL Subheads + Sills Need 100mm + 150mm*	6.5m	M/F CL/ANOD	10001 10002
	TJ688	SPANDRAL Subheads + Sills Need 100mm + 150mm*	6.5m	M/F CL/ANOD	10001 10002
	DTL3108-AIR	101.6mm Single Centre Glazed Press Suits TJ300/301/304/306/364/390	N/A	N/A	N/A
N/A	DTL3111	Shopfront Frame Outrigger Stop to Suit DTL3108	N/A	N/A	N/A

 Key hardware.

\* **Disclaimer:** Engineering required as per project.

# 150MM X 45MM SINGLE GLAZED

## CENTRE AND/OR OFFSET POCKET

CODE	DESCRIPTION	LGTH.	FINISH	GROUP ID	
TJ6151	150mm Main Frame Fits with TJ304/305/306/307	6.5m	M/F CL/ANOD	8501 8502	
TJ6152	150mm Sill Section Fits with TJ6153/304/305/307	6.5m	M/F CL/ANOD	8501 8502	
TJ6153	150mm Sill / Bead Fits with TJ6152	6.5m	M/F CL/ANOD	8501 8502	
TJ6150	Self Mating Mullion  1660	6.5m	M/F CL/ANOD	8501 8502	
TJ6154	H/D Self Mating Mullion	6.5m	M/F CL/ANOD	8501 8502	
TJ304	Glazing Adaptor Fits with TJ301/302/306/307/308/335/ TJ6151/6152	6.5m	M/F CL/ANOD BZ/ANOD	8301 8302 8301	
TJ6166	45mm Door Stop Fits with TJ6151/6150  1610, 1611, 1614	6.5m	M/F CL/ANOD	8501 8502	
TJ6167	35mm Sash Stop Fits with TJ6151/TJ6150  1600, 1601	6.5m	M/F CL/ANOD	8501 8502	

 Key hardware.




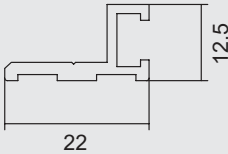
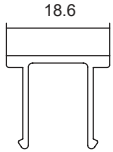

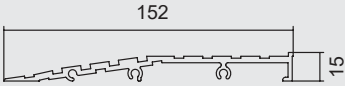

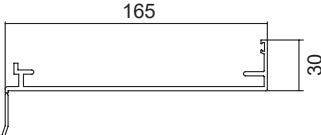


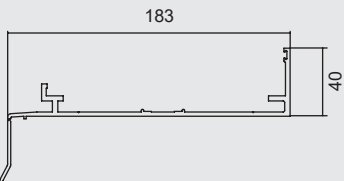

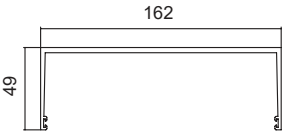

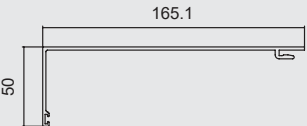

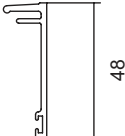
# 150MM X 45MM SINGLE GLAZED

## CENTRE AND/OR OFFSET POCKET

	CODE	DESCRIPTION	LGTH.	FINISH	GROUP ID
	TJ6161	50mm Offset Main Frame Fits with TJ6164/2865/720	6.5m	M/F CL/ANOD	8501 8502
	TJ6162	50mm Offset Sill Fits with TJ303/6164/JM2865	6.5m	M/F CL/ANOD	8501 8502
	TJ303	Sill Bead Fits with TJ302/362/6162	6.5m	M/F CL/ANOD BZ/ANOD	8301 8302 8301
	TJ303B	Sill Bead Fits with TJ302/362/6162	6.5m	M/F	8301 8302
	TJ6164	50mm Offset Adaptor Fits with TJ6161/6162	6.5m	M/F CL/ANOD	8501 8502
	JM2865	132mm Flat Filler Fits with TJ6161/6162/JM2861	6.5m	M/F CL/ANOD	8701 8702

# 150MM X 45MM SINGLE GLAZED

## CENTRE AND/OR OFFSET POCKET

CODE	DESCRIPTION	LGTH.	FINISH	GROUP ID	
JM2809	Plant On Door Stop Fits with JM2841/2861/2846/2847 JM2866/2867/2868  1610, 1611, 1614	6.5m	M/F CL/ANOD	9701 9702	
TJ307	Flush Pocket Filler Fit with TJ300/301/390/320/333/360 TJ362/304/344/364/308	6.5m	M/F CL/ANOD BZ/ANOD	8301 8302 8301	
TJ339	150mm WheelChair Threshold 	6.5m	M/F CL/ANOD	8301 8302	
TJ6156	150mm Sub Sill Slotted  1601	6.5m	M/F CL/ANOD	10001 10002	
TJ679	High Performance 150mm Sub Sill Slotted  1601 	6.5m	M/F CL/ANOD	10401 10402	
TJ6157	150mm Sub Head  1601, 1710	6.5m	M/F CL/ANOD	10001 10002	
TJ6158	150mm Sub Head / Jamb Fits with TJ6159  1601	6.5m	M/F CL/ANOD	10001 10002	
TJ6159	150mm Sub Head / Jamb Cover Fits with TJ6158  1601	6.5m	M/F CL/ANOD	10001 10002	

 Key hardware.

 Wheelchair access friendly

# 100MM X 50MM FRONT SINGLE GLAZED



1620



1615



1625



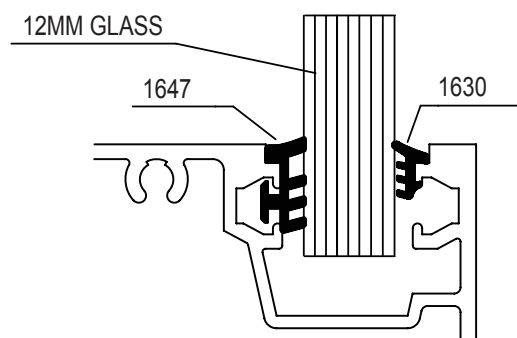
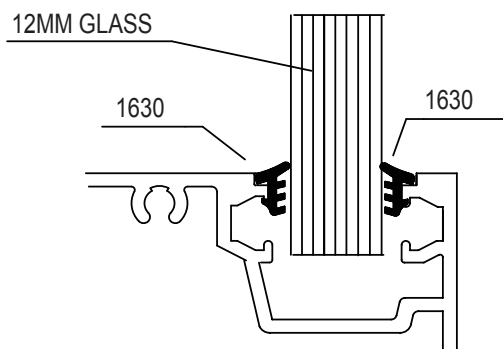
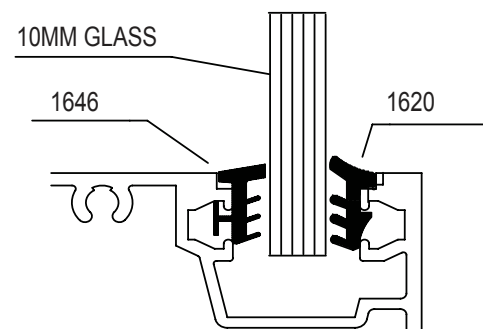
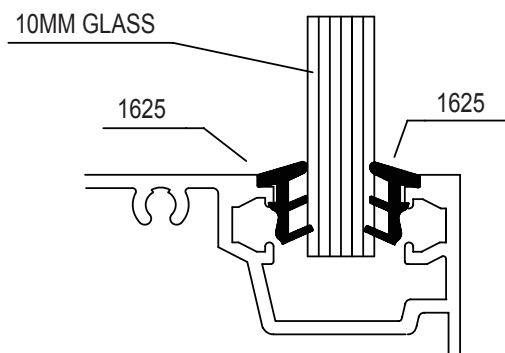
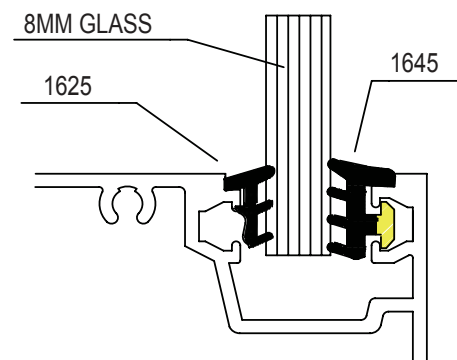
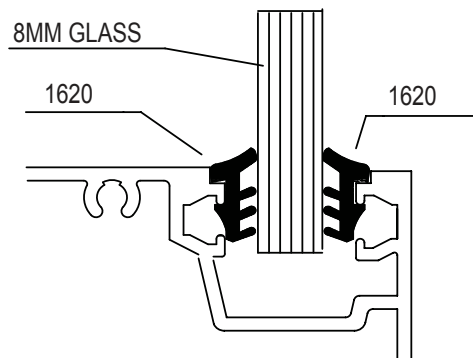
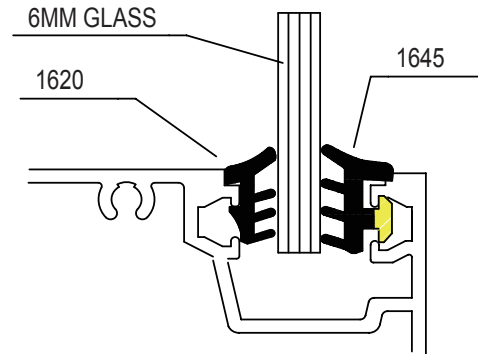
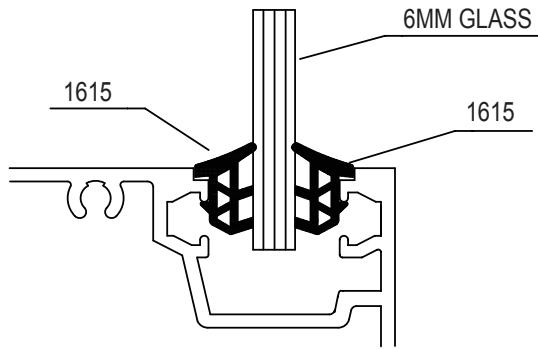
1645  
Captive



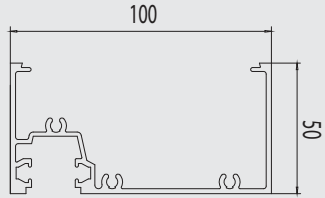
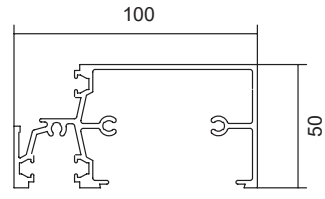
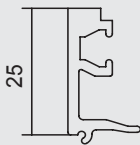
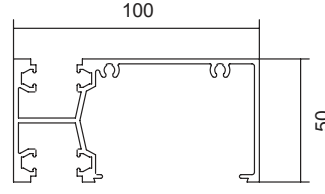
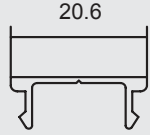
1646  
Captive



1647  
Captive

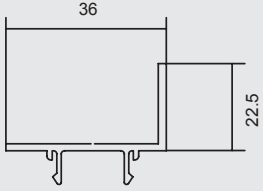
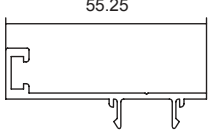

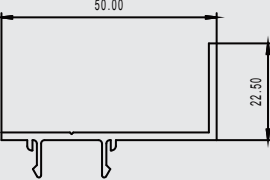
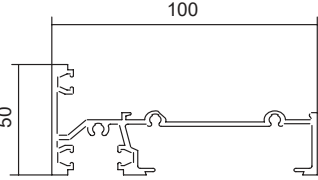
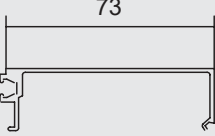
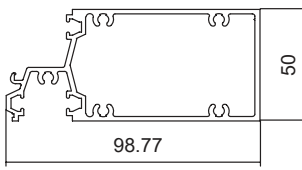



# 100MM X 50MM FRONT SINGLE GLAZED

CODE	DESCRIPTION	LGTH.	FINISH	GROUP ID	
FGS401	Frame Fits with TJ305	6.5m	M/F CL/ ANOD	8901 8902	
FGS402	Transom Sill Fits with FGS403/417	6.5m	M/F CL/ ANOD	8901 8902	
FGS403	External Bead Fits with FGS402/602/DGF6579/6580	6.5m	M/F CL/ ANOD	8901 8902	
FGS404	Mullion Fits with FG417	6.5m	M/F CL/ ANOD	8901 8902	
FGS406	Pocket Filler Fits all FGS	6.5m	M/F CL/ ANOD	8901 8902	

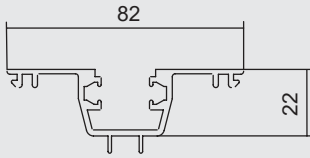
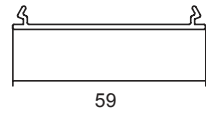
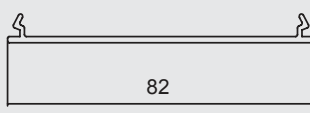
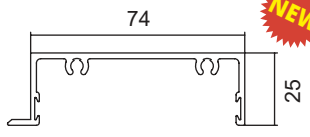
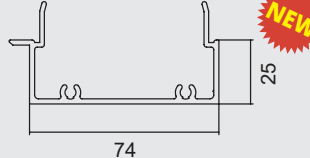

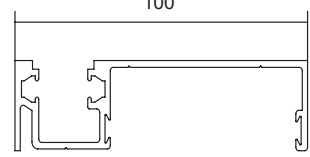
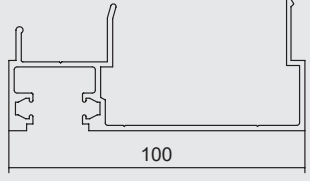
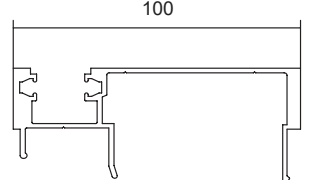


# 100MM X 50MM FRONT SINGLE GLAZED

	CODE	DESCRIPTION	LGTH.	FINISH	GROUP ID
	FGS416	35 Awning Stop Fits with FGS401/601 Suits TJ722/723	6.5m	M/F CL/ANOD	8901 8902
	FGS407	45mm Door Stop Fits with FGS401/601  1610, 1611, 1614	6.5m	M/F CL/ANOD	8901 8902
	FGS419	50 Awning Stop Fits with FGS401/601 Suits TJ741	6.5m	M/F CL/ANOD	8901 8902
	FGS409	Internal Transom Sill Fits with FGS410/417	6.5m	M/F CL/ANOD	8901 8902
	FGS410	Internal Glazing Bead Fits with FGS409	6.5m	M/F CL/ANOD	8901 8902
	FGS411	Transom Sill Fits with FGS412	6.5m	M/F CL/ANOD	8901 8902
	FGS412	Face Bead Fits with FGS411/611/DGF6571/4571	6.5m	M/F CL/ANOD	8901 8902

 Key hardware.

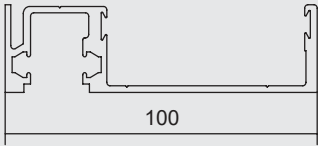

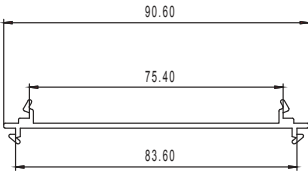
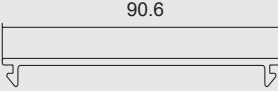
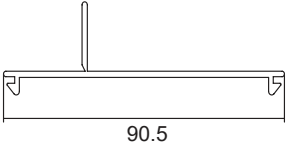
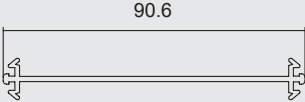
# 100MM X 50MM FRONT SINGLE GLAZED

CODE	DESCRIPTION	LGTH.	FINISH	GROUP ID	
FGS413	Centre Glaze Adaptor Fits with FGS401/DP220	6.5m	M/F CL/ANOD	8901 8902	
FGS417	Flat Filler Fits with FGS402/404/409	6.5m	M/F CL/ANOD	8901 8902	
FGS418	Flat Filler Fits with FGS401	6.5m	M/F CL/ANOD	8901 8902	
FG425	Split Mullion*	6.5m	M/F CL/ANOD	8901 8902	
FG426	Split Mullion*	6.5m	M/F CL/ANOD	8901 8902	
FGS427	Split Mullion Female Fits with FGS428  1660	6.5m	M/F CL/ANOD	8901 8902	
FGS428	Split Mullion Male Fits with FGS427	6.5m	M/F CL/ANOD	8901 8902	
FGS429	Heavy Duty Split Mullion Male Fits with FGS430	6.5m	M/F CL/ANOD	8901 8902	

 Key hardware.

\* Disclaimer: Engineering required as per project.

# 100MM X 50MM FRONT SINGLE GLAZED


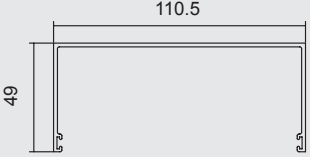

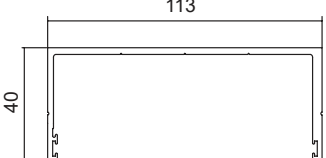

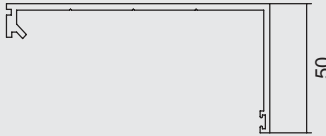

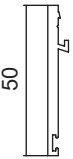

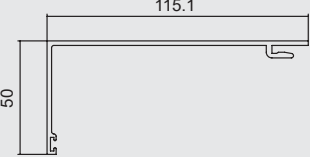

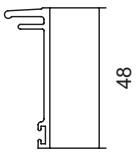
	CODE	DESCRIPTION	LGTH.	FINISH	GROUP ID
	FGS430	Heavy Duty Split Mullion Female Fits with FGS429  1660	6.5m	M/F CL/ANOD	8901 8902
	TJ485	Back to Back Adaptor Front To Centre Glazed	6.5m	M/F	8901
	TJ305	Flush Adaptor Fits with TJ301/302/367/308 JM2841	6.5m	M/F CL/ANOD BZ/ANOD	8301 8302 8301
	TJ342	Reveal Clip-In Fits with TJ301/302/300/390/360	6.5m	M/F	8301
	TJ385	Back to Back Adapter	6.5m	M/F	8301

TO BE  
DISCONTINUED



 Key hardware.

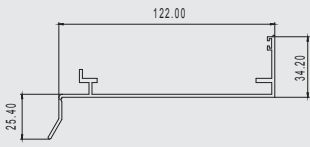

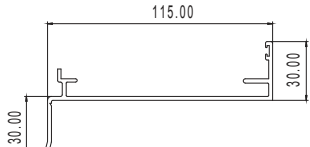

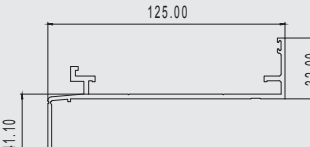

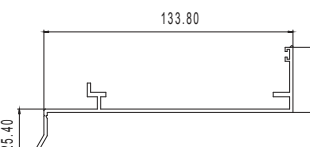

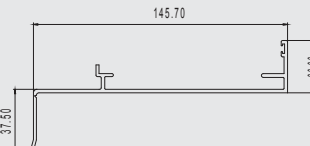

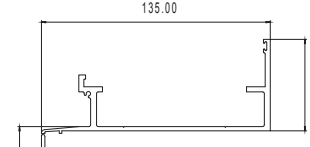

# 100MM X 50MM FRONT SINGLE GLAZED

CODE	DESCRIPTION	LGTH.	FINISH	GROUP ID	
TJ309	49mm Sub Head  1601, 1710	6.5m	M/F CL/ANOD BZ/ANOD	10001 10002 10001	
TJ399	Heavy Duty Sub Head  1601, 1710	6.5m	M/F CL/ANOD	10001 10002	
TJ430	Two Part Sub Head Fits with TJ429  1601	6.5m	M/F CL/ANOD	10001 10002	
TJ429	Sub Head Cover Fits with TJ430  1601	6.5m	M/F CL/ANOD	10001 10002	
TJ431	Sub Head / Jamb Fits with TJ6159  1601	6.5m	M/F CL/ANOD	10001 10002	
TJ6159	Sub Head / Jamb Cover Fits with TJ431  1601	6.5m	M/F CL/ANOD	10001 10002	

 Key hardware.



# 100MM X 50MM FRONT SINGLE GLAZED

	CODE	DESCRIPTION	LGTH.	FINISH	GROUP ID
	TJ359	Light Duty Sub Sill 12mm Set Back Slotted  1601,1930	6.5m	M/F CL/ANOD BZ/ANOD	10001 10002 10001
	TJ368	STD Sub Sill 6mm Set Back Slotted  1601,1930	6.5m	M/F CL/ANOD	10001 10002
	TJ379	Heavy Duty Sub Sill 12mm Set Back Slotted  1601,1930	6.5m	M/F CL/ANOD	10001 10002
	TJ259	Sub Sill 25mm Set Back Slotted  1601,1930	6.5m	M/F CL/ANOD BZ/ANOD	10001 10002 10001
	TJ432	Sub Sill 35mm Set Back Slotted  1601,1930	6.5m	M/F CL/ANOD	10001 10002
	TJ479	High Performance Sub Sill 22mm Set Back Slotted  1601	6.5m	M/F CL/ANOD	10001 10002

 Key hardware.

# 150MM X 50MM FRONT SINGLE GLAZED



1620



1615



1625



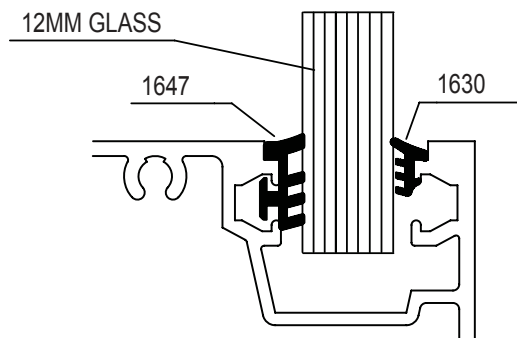
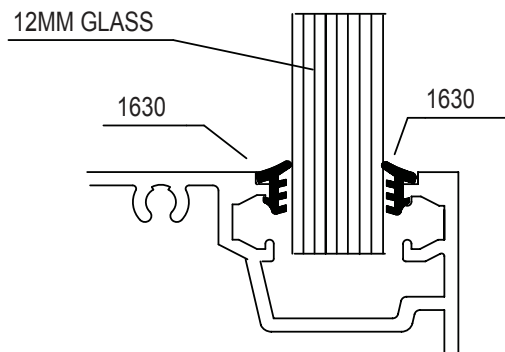
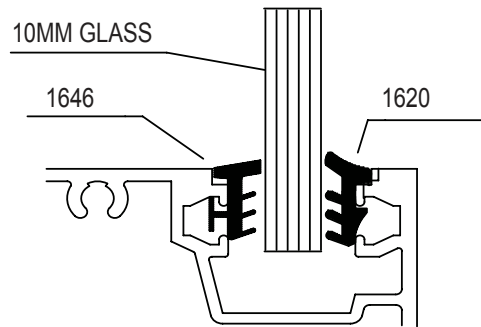
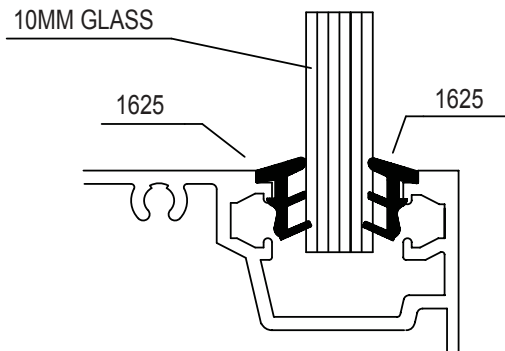
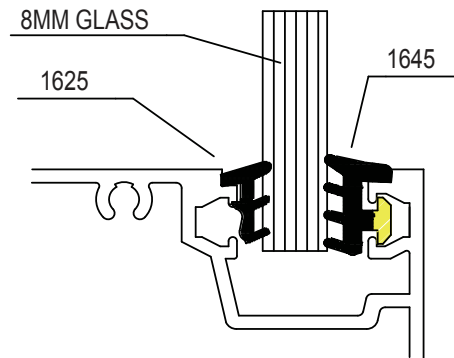
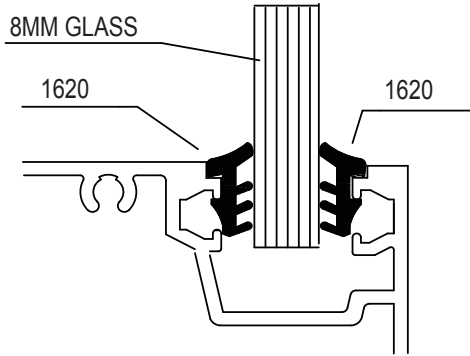
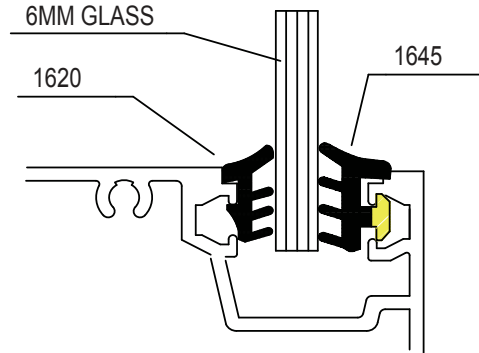
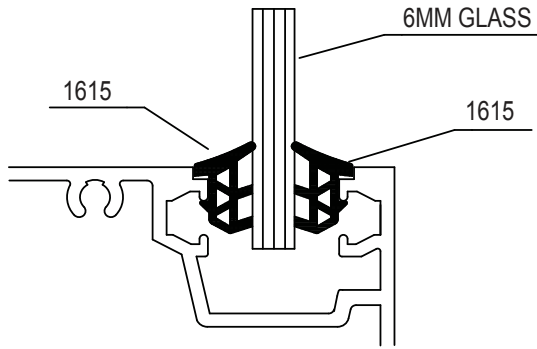
1645  
Captive



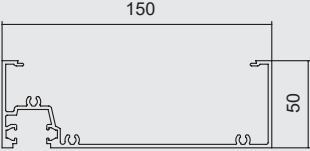
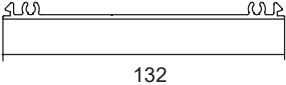
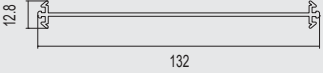
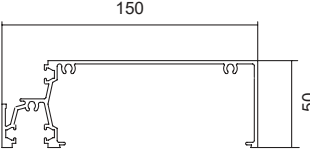
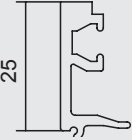
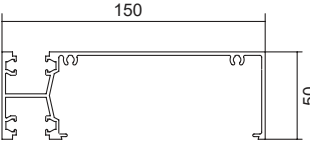
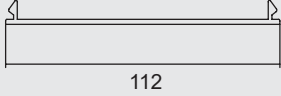
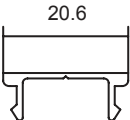
1646  
Captive







1647  
Captive



# 150MM X 50MM FRONT SINGLE GLAZED

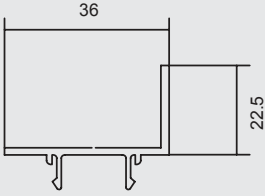
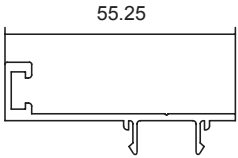

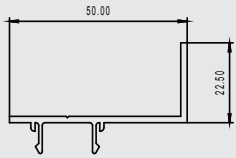
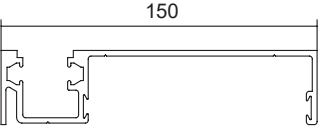

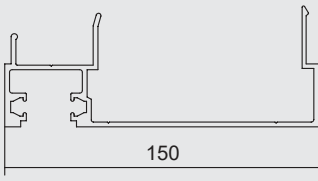
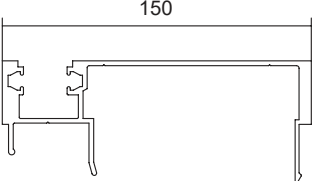
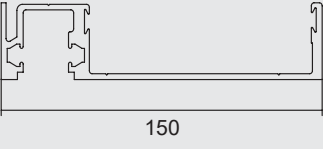

	CODE	DESCRIPTION	LGTH.	FINISH	GROUP ID
	FGS601	Frame Fits with JM2865	6.5m	M/F CL/ANOD	9101 9102
	JM2865	132mm Flat Filler Fits with FGS601	6.5m	M/F CL/ANOD	8701 8702
	TJ685	Back To Back Adaptor Fits with FGS601/TJ6161	6.5m	M/F CL/ANOD	9101 9102
	FGS602	Transom Sill Fits with FG605/FGS403	6.5m	M/F CL/ANOD	9101 9102
	FGS403	External Bead Fits with FGS402/602/DGF6579/6580	6.5m	M/F CL/ANOD	8901 8902
	FGS604	Mullion Fits with FG605	6.5m	M/F CL/ANOD	9101 9102
	FG605	Flat Filler Fits with FGS602/604	6.5m	M/F CL/ANOD	9101 9102
	FGS406	Pocket Filler Fits all FGS	6.5m	M/F CL/ANOD	8901 8902

# 150MM X 50MM FRONT SINGLE GLAZED

CODE	DESCRIPTION	LGTH.	FINISH	GROUP ID	
FGS609	Transom Sill Fits with FGS610	6.5m	M/F CL/ANOD	9101 9102	
FGS610	Internal Glazing Bead Fits with FGS609	6.5m	M/F CL/ANOD	9101 9102	
FGS611	Transom Sill Fits with FGS412	6.5m	M/F CL/ANOD BZ/ANOD	9101 9102 9101	
FGS631	Awning Transom	6.5m	M/F CL/ANOD	9101 9102	
FGS632	Transom Sill Internal Bead Fits with FGS610	6.5m	M/F CL/ANOD	9101 9102	
FGS412	Face Bead Fits with FGS411/611/DGF6571	6.5m	M/F CL/ANOD	8901 8902	
TJ6157	150mm Sub Head Fits with TJ6151/6152 SD129/FG601  1601,1710	6.5m	M/F CL/ANOD	10001 10002	
TJ6156	150mm Sub Sill Slotted  1601	6.5m	M/F CL/ANOD	10001 10002	
TJ6158	150mm Sub Head / Jamb Fits with TJ6159  1601	6.5m	M/F CL/ANOD	10001 10002	
TJ6159	150mm Sub Head / Jamb Cover Fits with TJ6158  1601	6.5m	M/F CL/ANOD	10001 10002	

 Key hardware.

# 150MM X 50MM FRONT SINGLE GLAZED







	CODE	DESCRIPTION	LGTH.	FINISH	GROUP ID
	FGS416	35 Awning Stop Fits with FGS401/601 Suits TJ722/723	6.5m	M/F CL/ANOD	8901 8902
	FGS407	45mm Door Stop Fits with FGS401/601  1610, 1611, 1614	6.5m	M/F CL/ANOD	8901 8902
	FGS419	50 Awning Stop Fits with FGS401/601 Suits TJ741	6.5m	M/F CL/ANOD	8901 8902
	FGS627	Split Mullion Female Fits with FGS628  1660	6.5m	M/F CL/ANOD	9101 9102
	FGS628	Split Mullion Male Fits with FGS627	6.5m	M/F CL/ANOD	9101 9102
	FGS629	Heavy Duty Split Mullion Male Fits with FGS630	6.5m	M/F CL/ANOD	9101 9102
	FGS630	Heavy Duty Split Mullion Female Fits with FGS629  1660	6.5m	M/F CL/ANOD	9101 9102

 Key hardware.

# SINGLE GLAZED COMPONENTS

CODE	DESCRIPTION	U.O.M.	BOX QTY.	GROUP ID	
1472	Foam Seal - 1050 Pieces Roll Suits 101.6mm Centre Glazed Single	Roll	1	16177	
1473	Foam Seal - 1120 Pieces Roll Suits 150mm Centre Glazed Single	Roll	1	16177	
1474	Foam Seal - 1050 Pieces Roll Suits 100mm Front Glazed Single	Roll	1	16177	
1475	Foam Seal - 1120 Pieces Roll Suits 150mm Front Glazed Single	Roll	1	16177	
1493	Foam Plug To Suit 101.6x45mm Centre Single Glazed Framing (20 Per Sheet)	Roll	1	16177	
1494	Foam Plug To Suit Front Single Glazed Framing (16 Per Sheet)	Roll	1	16177	
1610- M100	6mm Door Stop - 100m Suits TJ306	Roll	1	16169	
1611	Weatherstrip 90-900 Black - 150m Roll	Roll	1	16173	
1614	Large Door Stop - 200m	Roll	1	16169	
1615	Glazing Wedge PVC - 200m Roll Suits TJ202	Roll	1	16169	
1620	Glazing Wedge PVC - 200m Roll	Roll	1	16169	
1625	Glazing Wedge PVC - 250m Roll	Roll	1	16169	
1630	Glazing Wedge PVC - 200m Roll	Roll	1	16169	

# SINGLE GLAZED COMPONENTS

	CODE	DESCRIPTION	U.O.M.	BOX QTY.	GROUP ID
	1635	Glazing Wedge Captive Co-Extruded Santoprene - 150m Roll - 8.38mm	Roll	N/A	16169
	1636	Glazing Wedge Captive Co-Extruded Santoprene - 100mm Roll - 10.38mm	Roll	N/A	16169
	1640	Glazing Wedge Captive PVC 6mm - 150m Roll	Roll	N/A	16169
	1645	Glazing Wedge Captive Co-Extruded Santoprene - 100m Roll	Roll	N/A	16169
	1646	Glazing Wedge Captive Co-Extruded Santoprene - 100m Roll	Roll	N/A	16169
	1647	Glazing Wedge Captive Co-Extruded Santoprene - 100m Roll	Roll	N/A	16169
	1651	Glazing Wedge Captive Co-Extruded Santoprene - 100m Roll	Roll	N/A	16169



# SINGLE GLAZED COMPONENTS

CODE	DESCRIPTION	U.O.M.	BOX QTY.	GROUP ID	
1370**	Dow Corning 688 Silicone Glazing & Cladding Sealant <i>688**Specify finish: Black-BL, Translucent-Trans, White-WH.</i> 	Tube	24	16161	
1371**	Dow Corning 795 Structural Glazing Silicone <i>795**Specify finish: Black-BL.</i> 	Sausage	20	16161	
1311**	Dow Corning 680 Sanitary Silicone - Tube (Neutral Cure) <i>680 **Specify Finish: Transparent-TR White-WH.</i> 	Tube	20	16161	
1900-M	Frame Packers - 1.5mm X 90mm Blue 100/Bag	Bag	N/A	16157	
1901-M	Frame Packers - 3mm X 90mm Green 100/Bag	Bag	N/A	16157	
1902-M	Frame Packers - 5mm X 90mm Orchre 100/Bag	Bag	N/A	16157	
1903-M	Frame Packers - 10mm X 90mm Black 100/Bag	Bag	N/A	16157	
1910	Setting Blocks 3mm Thick	Bag	N/A	16157	
1911	Setting Blocks 5mm Thick	Bag	N/A	16157	
1912	Setting Blocks 10mm Thick	Bag	N/A	16157	
1930	End Cap to Suit Subsills Bag Of 50 Pairs - Left + Right	Bag	N/A	16157	
1960	Lanotec General Purpose Liquid Lanolin 400g	Tube	12	16181	
1961	Lanotec "Citra Force" Cleaner Degreaser 400g	Tube	12	16181	

 Please check with your local branch for stock availability.





**DOUBLE GLAZED**

# 101.6MM X 50MM CENTRE DOUBLE GLAZED



1630



1620



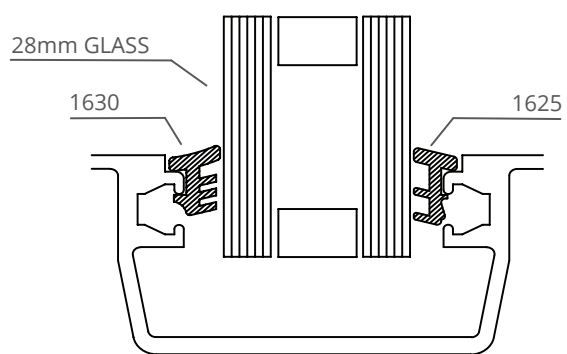
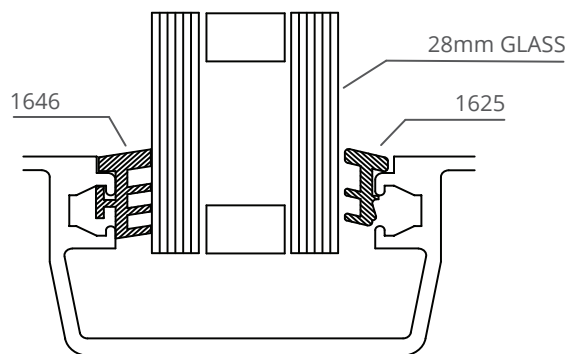
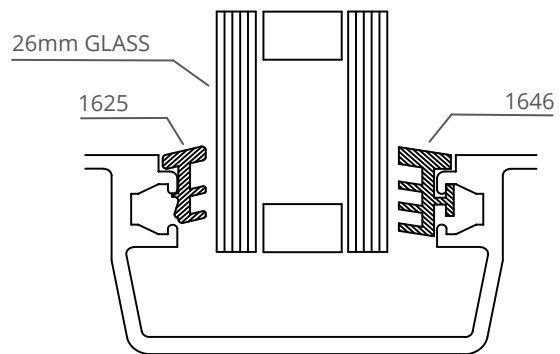
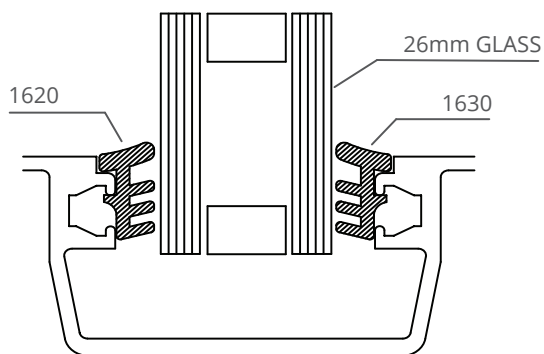
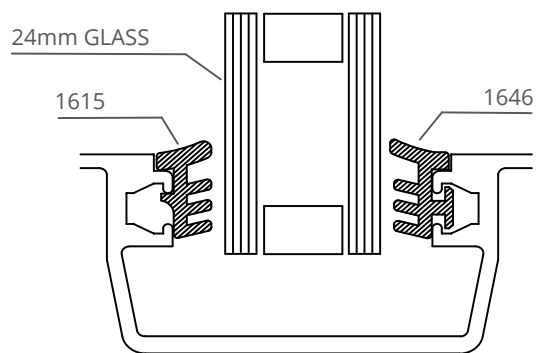
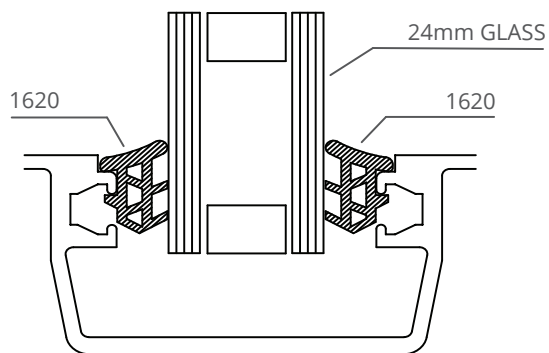
1615



1625



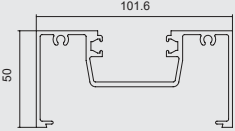
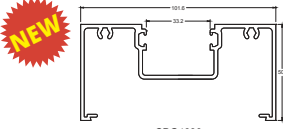
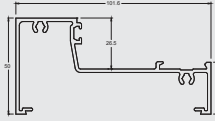
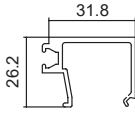
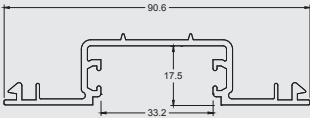
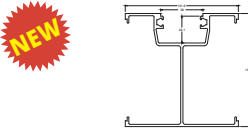
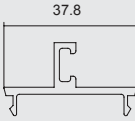

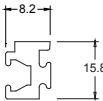
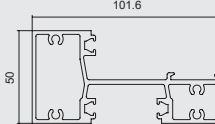
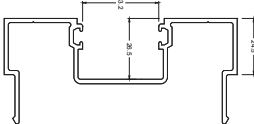
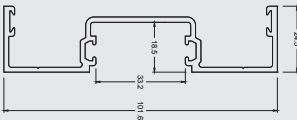
1646 Captive



Note: When using 2 X CDG4308 and DGF4510 Pocket Reducers, refer to "100mm Front Single Glazing" chart.


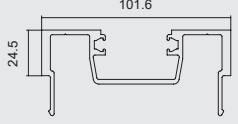
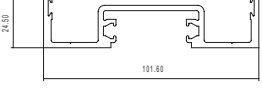
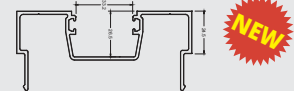
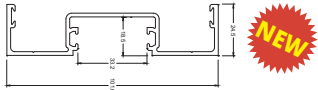
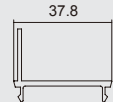

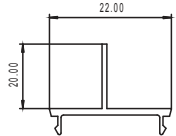
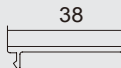
\* For more glazing options, please refer to your Darley Wall Chart or technical manual.

# 101.6MM X 50MM CENTRE DOUBLE GLAZED

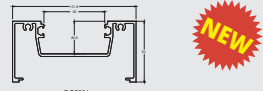
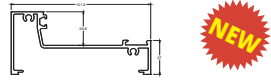
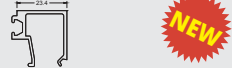
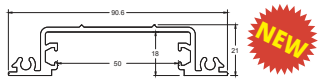
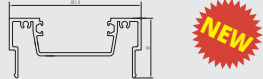
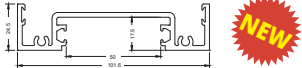
	CODE	DESCRIPTION	LGTH.	FINISH	GROUP ID
	CDG4301	Frame Fits with CDG4304/4307/CDG4308/4316/ DGF4506	6.5m	M/F CL/ANOD	8401 8402
	CDG4390	Light Frame	6.5m	M/F CL/ANOD	8401 8402
	CDG4302	Sill Fits with CDG4303/4308	6.5m	M/F CL/ANOD	8401 8402
	CDG4303	Sill Bead Fits with CDG4302/4308/4309	6.5m	M/F CL/ANOD	8401 8402
	CDG4304	Adaptor Fits with CDG4301/4307/4308/4316/ DGF4506	6.5m	M/F CL/ANOD	8401 8402
	CDG4305	Double Glazed Corner Post	6.5m	M/F CL/ANOD	8401 8402
	CDG4307	45mm Door Stop Fits with CDG4301/4304/4309/4310/ CDG4311/4312/4313  1610, 1611, 1614	6.5m	M/F CL/ANOD	8401 8402
	CDG4308	Single Glazing Reducer Fits all CDG Sections	6.5m	M/F CL/ANOD	8401 8402
	CDG4309	Transom/Sill Fits with CDG4307/4308/4316/DGF4506	6.5m	M/F CL/ANOD	8401 8402
	CDG4310	Male Split Mullion Fits with CDG4311/4307/4308/4316/ DGF4506	6.5m	M/F CL/ANOD	8401 8402
	CDG4311	Female Split Mullion Fits with CDG4310/4307/4308/4316/ DGF4506	6.5m	M/F CL/ANOD	8401 8402

 Key hardware.

# 101.6MM X 50MM CENTRE DOUBLE GLAZED

CODE	DESCRIPTION	LGTH.	FINISH	GROUP ID	
CDG4312	H/D Male Split Mullion Fits with CDG4313/4307/4308/4316/ DGF4506  1660	6.5m	M/F CL/ANOD	8401 8402	
CDG4313	H/D Female Split Mullion Fits with CDG4313/4307/4308/4316/ DGF4506	6.5m	M/F CL/ANOD	8401 8402	
CDG4314	Male Light Split Mullion	6.5m	M/F CL/ANOD	8401 8402	
CDG4315	Female Light Split Mullion	6.5m	M/F CL/ANOD	8401 8402	
CDG4316	35 Awning Stop Suits TJ722/723/726 Fits with CDG4301/4304/4309/4310/4311/ CDG4312/4313	6.5m	M/F CL/ANOD	8401 8402	
CDG4319	50 Awning Stop Suits TJ741. Fits with CDG4301/4304/4309/ CDG4310/4311/4312/4313  1660	6.5m	M/F CL/ANOD	8401 8402	
DGF4506	Pocket Filler Fits with CDG4301/4304/4309/4310/4311/ CDG4312/4313	6.5m	M/F CL/ANOD	9001 9002	

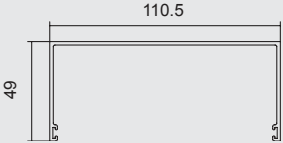

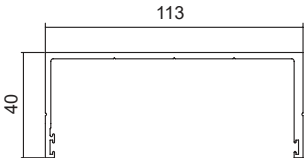

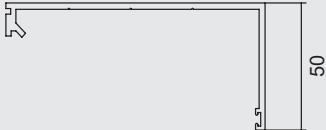



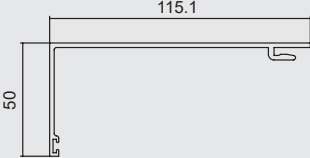

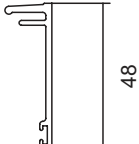

## 50MM GLAZING SECTIONS\*

CODE	DESCRIPTION	LGTH.	FINISH	GROUP ID	
DG5001	Frame 6.5m Mill Finish	6.5m	M/F CL/ANOD	8401	
DG5002	Sill 6.5m Mill Finish	6.5m	M/F CL/ANOD	8401	
DG5003	Bead 6.5m Mill Finish	6.5m	M/F CL/ANOD	8401	
DG5004	Adaptor 6.5m Mill Finish	6.5m	M/F CL/ANOD	8401	
DG5010	50mm Pocket Male Mullion 6.5m Mill Finish	6.5m	M/F CL/ANOD	8401	
DG5011	50mm Pocket Female Mullion 6.5m Mill Finish	6.5m	M/F CL/ANOD	8401	

 Key hardware.


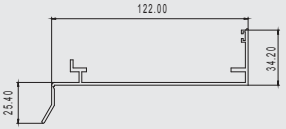

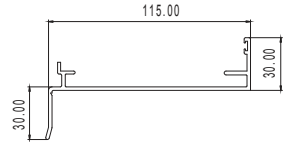

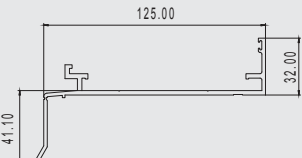

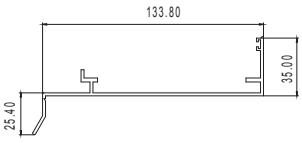

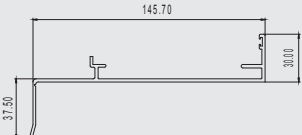

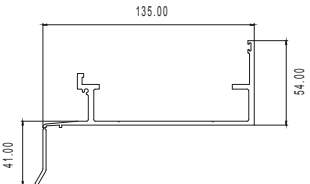
\* Please contact your sales representative or technical support for more information

# 101.6MM X 50MM CENTRE DOUBLE GLAZED

	CODE	DESCRIPTION	LGTH.	FINISH	GROUP ID
	TJ309	49mm Sub Head  1601, 1710	6.5m	M/F CL/ANOD BZ/ANOD	10001 10002 10001
	TJ399	Heavy Duty Sub Head  1601, 1710	6.5m	M/F CL/ANOD	10001 10002
	TJ430	Two Part Sub Head Fits with TJ429  1601	6.5m	M/F CL/ANOD	10001 10002
	TJ429	Sub Head Cover Fits with TJ430  1601	6.5m	M/F CL/ANOD	10001 10002
	TJ431	Sub Head / Jamb Fits with TJ6159  1601	6.5m	M/F CL/ANOD	10001 10002
	TJ6159	Sub Head / Jamb Fits with TJ431  1601	6.5m	M/F CL/ANOD	10001 10002

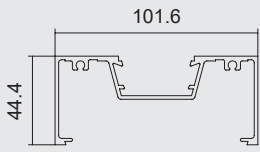

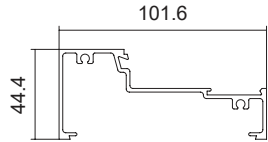
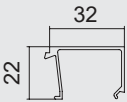
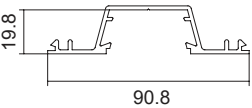
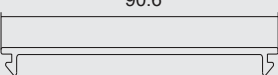
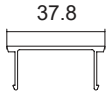
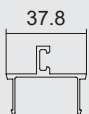

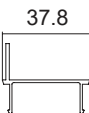
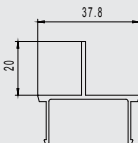
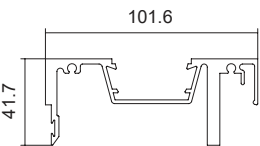

  Key hardware.

# 101.6MM X 50MM CENTRE DOUBLE GLAZED

CODE	DESCRIPTION	LGTH.	FINISH	GROUP ID	
TJ359	Light Duty Sub Sill 12mm Set Back Slotted  1601, 1930	6.5m	M/F CL/ANOD BZ/ANOD	10001 10002 10001	
TJ368	STD Sub Sill 6mm Set Back Slotted  1601, 1930	6.5m	M/F CL/ANOD	10001 10002	
TJ379	Heavy Duty Sub Sill 12mm Set Back Slotted  1601, 1930	6.5m	M/F CL/ANOD	10001 10002	
TJ259	Sub Sill 25mm Set Back Slotted  1601, 1930	6.5m	M/F CL/ANOD BZ/ANOD	10001 10002 10001	
TJ432	Sub Sill 35mm Set Back Slotted  1601, 1930	6.5m	M/F CL/ANOD	10001 10002	
TJ479	High Performance Sub Sill 22mm Set Back Slotted  1601	6.5m	M/F CL/ANOD	10001 10002	

 Key hardware.

# 101.6MM X 44.4MM CENTRE DOUBLE GLAZED

	CODE	DESCRIPTION		LGTH.	FINISH	GROUP ID
	DGC4401	Frame Fits with DGC4404/ DGC4406/4407/4416/4419		6.5m	M/F CL/ANOD	8401 8402
	DGC4402	Sill Fits with DGC4403/4404		6.5m	M/F CL/ANOD	8401 8402
	DGC4403	Sill Bead Fits with DGC4402		6.5m	M/F CL/ANOD	8401 8402
	DGC4404	Adaptor Fits with DGC4401/4402		6.5m	M/F CL/ANOD	8401 8402
	TJ305	Flat Filler Fits with DGC4401/4402		6.5m	M/F CL/ANOD	8301 8302
	DGC4406	Pocket Filler Fits with DGC4401/4404/4428		6.5m	M/F CL/ANOD	8401 8402
	DGC4407	45mm Door Stop Fits with DGC4401  1610, 1611, 1614		6.5m	M/F CL/ANOD	8401 8402
	DGC4416	35 Awning Stop Fits with DGC4401/4404/4428		6.5m	M/F CL/ANOD	8401 8402
	DGC4419	50 Awning Stop Fits with DGC4401/4404/4428 Suits TJ741		6.5m	M/F CL/ANOD	8401 8402
	DGC4428	Self Mating Mullion  1660		6.5m	M/F CL/ANOD	8401 8402

 Key hardware.

# 150MM X 50MM CENTRE DOUBLE GLAZED



1630



1620



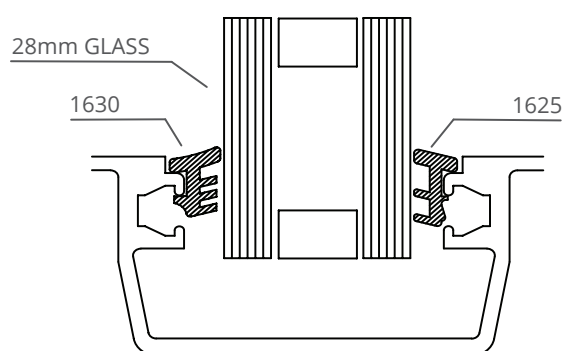
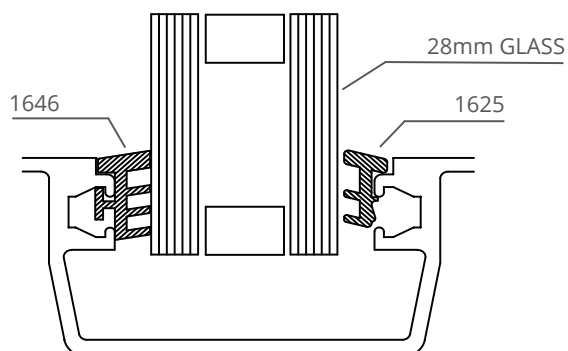
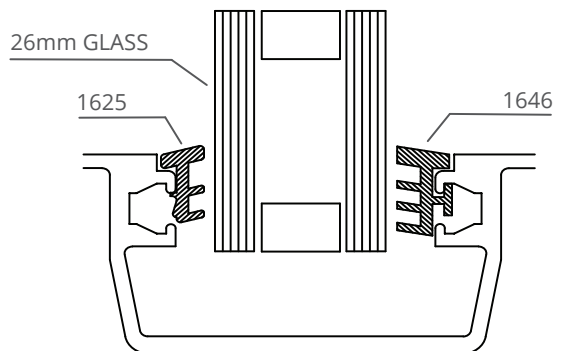
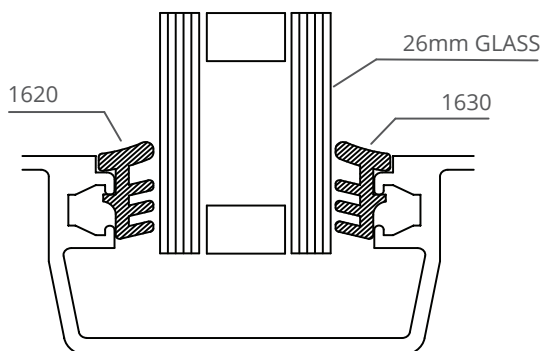
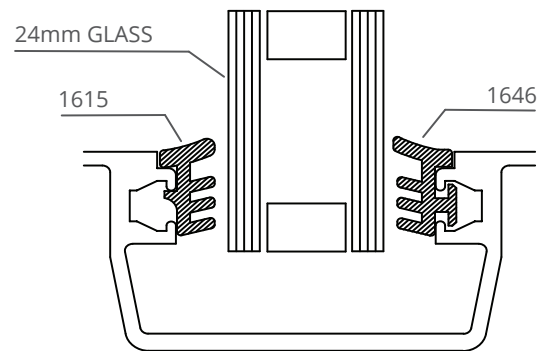
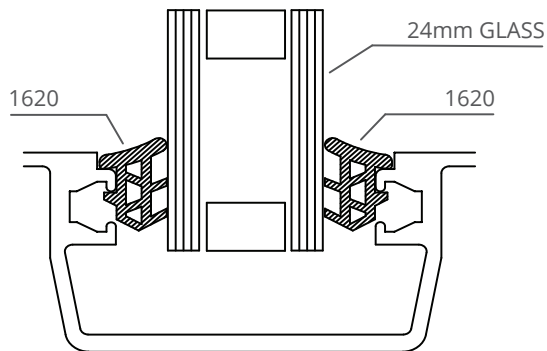
1615



1625



1646 Captive

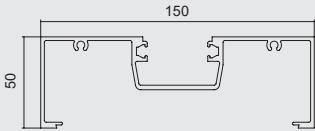
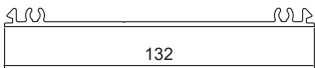
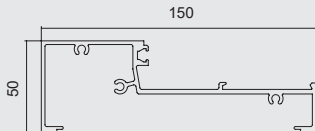
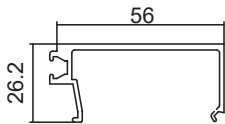
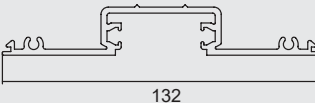
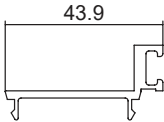


Note: When using 2 X CDG4308 and DGF4510 Pocket Reducers, refer to "100mm Front Single Glazing" chart.

\* For more glazing options, please refer to your Darley Wall Chart or technical manual.



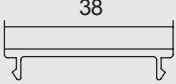
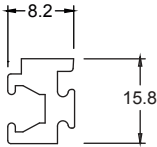
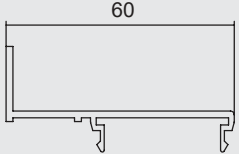
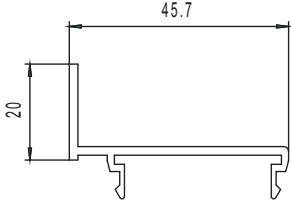
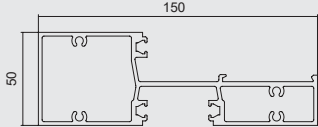
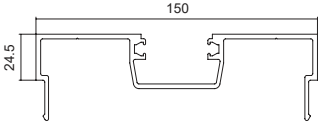
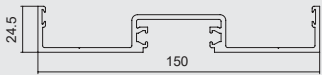
# 150MM X 50MM CENTRE DOUBLE GLAZED

	CODE	DESCRIPTION	LGTH.	FINISH	GROUP ID
	CDG6501	Frame Fits with CDG6504/6507/4308/6516/ JM2865/DGF4506	6.5m	M/F CL/ANOD	8411 8412
	JM2865	132mm Flat Filler Fits with JM2861/CDG6501/6502	6.5m	M/F CL/ANOD	8701 8702
	CDG6502	Sill Fits with CDG6503/6504/4308	6.5m	M/F CL/ANOD	8411 8412
	CDG6503	Sill Bead Fits with CDG6502/6509/4308	6.5m	M/F CL/ANOD	8411 8412
	CDG6504	Glazing Adaptor Fits with CDG6501/6502/6507/6516/4308/ DGF4506	6.5m	M/F CL/ANOD	8411 8412
	CDG6507	45mm Door Stop Fits with CDG6501/6504/6509/6510/6511/ CDG6512/6513 <b>Key</b> 1610, 1611, 1614	6.5m	M/F CL/ANOD	8411 8412



 Key hardware.

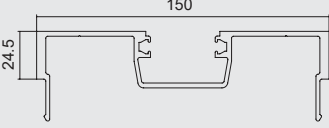
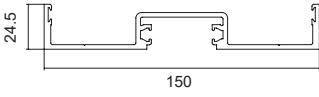
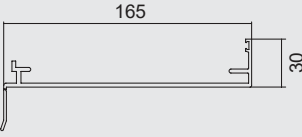
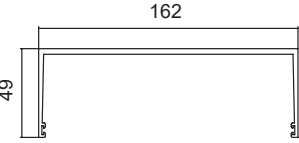
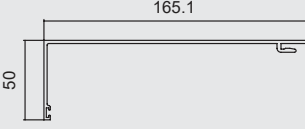
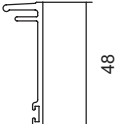
# 150MM X 50MM CENTRE DOUBLE GLAZED

CODE	DESCRIPTION	LGTH.	FINISH	GROUP ID	
DGF4506	Pocket Filler Fits with CDG6501/6504/6509/6510/ CDG6511/6512/6513	6.5m	M/F CL/ANOD	9001 9002	
CDG4308	Glazing Reducer Fits All CDG Sections	6.5m	M/F CL/ANOD	8401 8402	
CDG6516	35 CDG Awning Stop	6.5m	M/F CL/ANOD	8401 8402	
CDG6519	50 Awning Stop Suits TJ722/723/726/CDG6501/6504/ CDG6509/6510/6511/6512/6513 Fits with TJ741	6.5m	M/F CL/ANOD	8401 8402	
CDG6509	Transom/Sill Fits with CDG6503/6507/6516/4308/ DGF4506	6.5m	M/F CL/ANOD	8411 8412	
CDG6510	Male Split Mullion Fits with CDG6511/6507/6516/4308/ DGF4506	6.5m	M/F CL/ANOD	8411 8412	
CDG6511	Female Split Mullion Fits with CDG6510/6507/6516/4308/ DGF4506	6.5m	M/F CL/ANOD	8411 8412	

 1660

 Key hardware.

# 150MM X 50MM CENTRE DOUBLE GLAZED

	CODE	DESCRIPTION	LGTH.	FINISH	GROUP ID
	CDG6512	H/D Male Split Mullion Fits with CDG6513/6507/6516/4308/ DGF4506	6.5m	M/F CL/ANOD	8411 8412
	CDG6513	H/D Female Split Mullion Fits with CDG6513/6507/6516/4308/ DGF4506 <b>Key 1660</b>	6.5m	M/F CL/ANOD	8411 8412
	TJ6156	150mm Sub Sill <b>Key 1601</b>	6.5m	M/F CL/ANOD	10001 10002
	TJ6157	150mm Sub Head <b>Key 1601,1710</b>	6.5m	M/F CL/ANOD	10001 10002
	TJ6158	150mm Sub Head Fits with TJ6159 <b>Key 1601</b>	6.5m	M/F CL/ANOD	10001 10002
	TJ6159	150mm Sub Head / Jamb Cover Fits with TJ6158 <b>Key 1601</b>	6.5m	M/F CL/ANOD	10001 10002

 Key hardware.

# 100MM X 50MM FRONT DOUBLE GLAZED



1630



1620



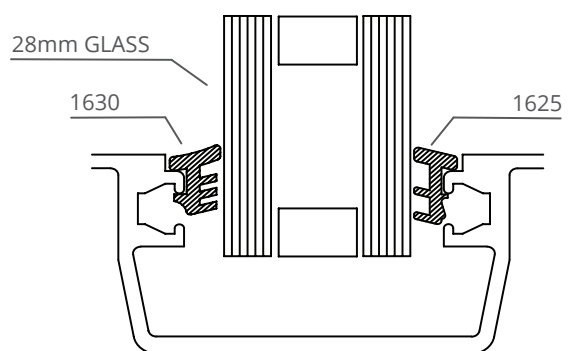
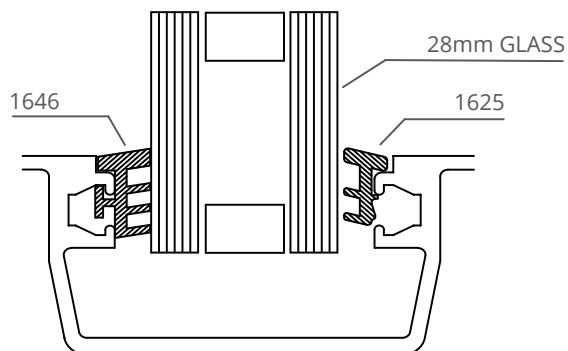
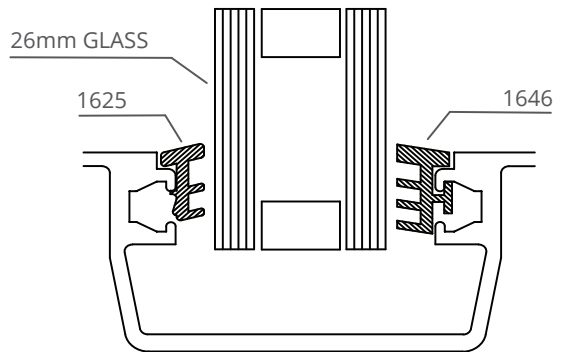
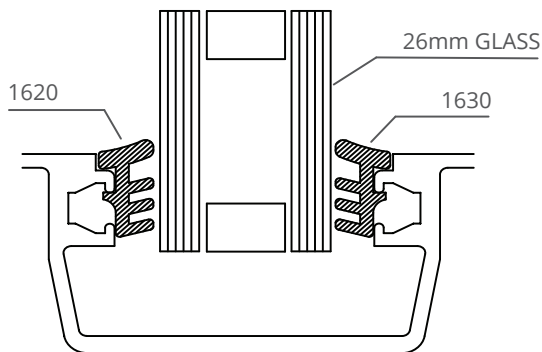
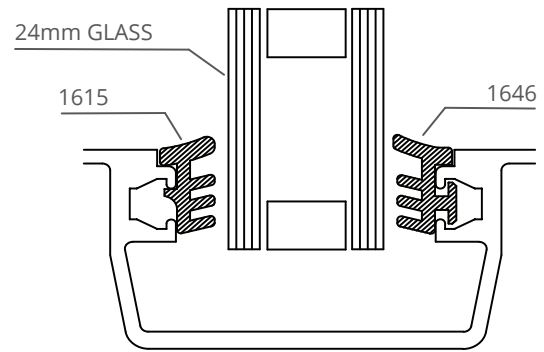
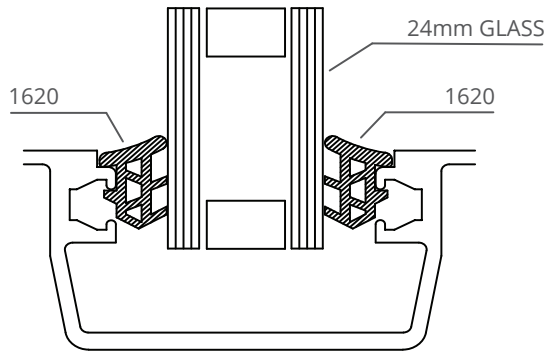
1615



1625



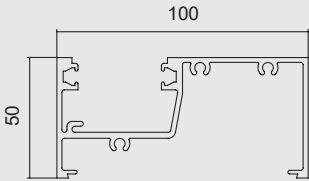
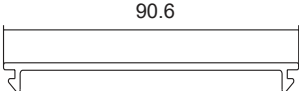
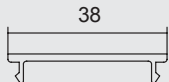
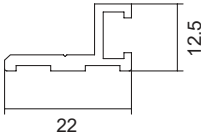
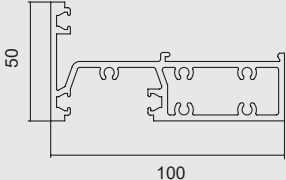
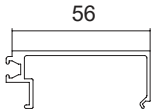
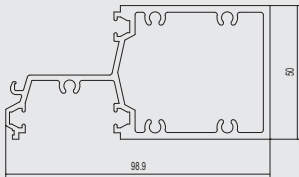
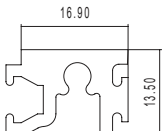
1646 Captive



Note: When using 2 X CDG4308 and DGF4510 Pocket Reducers, refer to "100mm Front Single Glazing" chart.

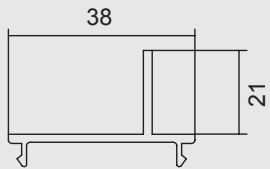
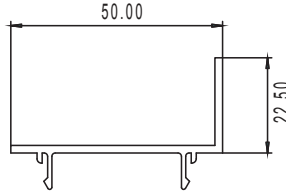
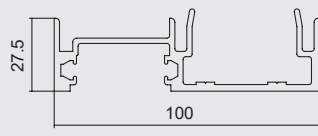

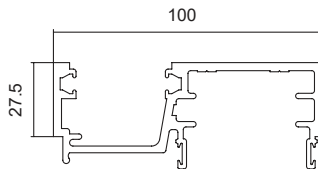
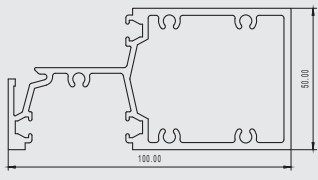
\* For more glazing options, please refer to your Darley Wall Chart or technical manual.

# 100MM X 50MM FRONT DOUBLE GLAZED

	CODE	DESCRIPTION	LGTH.	FINISH	GROUP ID
	DGF4501	Frame Fits with DGF4506/4510/4516/4517	6.5m	M/F CL/ANOD	9001 9002
	TJ305	Flush Adaptor Fits with TJ301/302/367/308/JM2841/ DGF4501	6.5m	M/F CL/ANOD BZ/ANOD	8301 8302 8301
	DGF4506	Pocket Infill Fits with DGF4501/4508	6.5m	M/F CL/ANOD	9001 9002
	JM2809	Plant On Door Stop Fits with JM2841/2861/2846/2847/2866/ JM2867/2868 <b>Key</b> 1610, 1611, 1614	6.5m	M/F CL/ANOD	9701 9702
	DGF4508	Sill Fits with DGF4509/4506/4510/4516/4517	6.5m	M/F CL/ANOD	9001 9002
	DGF4509	Internal Glazing Bead Fits with DGF4508/4510	6.5m	M/F CL/ANOD	9001 9002
	DGF4571	100 X 50mm Front Double Glazed Sill/ Transom Fits with FGS412/DGF4506/4510/4516/ DGF4517	6.5m	M/F CL/ANOD	9001 9002
	DGF4510	Single Glazed Reducer Fits with All DGF Sections	6.5m	CL/ANOD	9001 9002

 Key hardware.

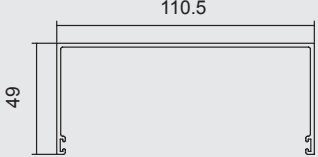

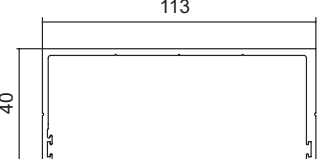

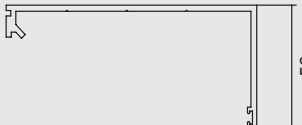

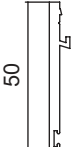

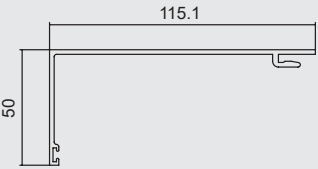

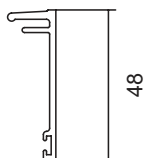

# 100MM X 50MM FRONT DOUBLE GLAZED

CODE	DESCRIPTION	LGTH.	FINISH	GROUP ID	
DGF4516	35 Awning Stop Fits with DGF4501 Suits TJ722/723/726	6.5m	M/F CL/ANOD	9001 9002	
DGF4519	50 Awning Stop Fits with DGF4501 Suits TJ741	6.5m	M/F CL/ANOD	9001 9002	
DGF4527	Expansion Mullion Female Fits with DGF4528	6.5m	M/F CL/ANOD	9001 9002	
DGF4528	Expansion Mullion Male Fits with DGF4527  1660	6.5m	M/F CL/ANOD	9001 9002	
DGF4572	Sill/Transom Fits with FGS403	6.5m	M/F CL/ANDO	9001 9002	




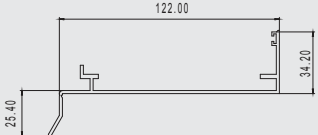

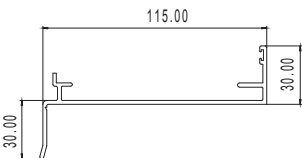

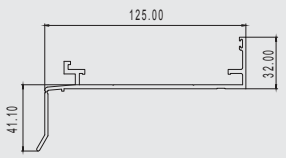

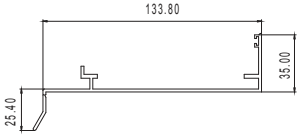

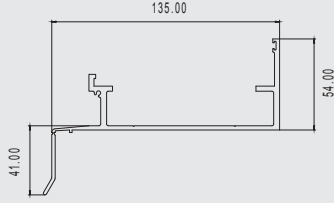

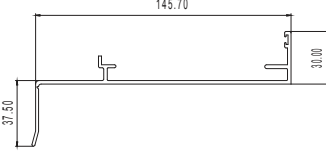
 Key hardware.

# 100MM X 50MM FRONT DOUBLE GLAZED

	CODE	DESCRIPTION	LGTH.	FINISH	GROUP ID
	TJ309	49mm Sub Head  1601, 1710	6.5m	M/F CL/ANOD BZ/ANOD	10001 10002 10001
	TJ399	Heavy Duty Sub Head  1601, 1710	6.5m	M/F CL/ANOD	10001 10002
	TJ430	Two Part Sub Head Fits with TJ429  1601	6.5m	M/F CL/ANOD	10001 10002
	TJ429	Sub Head Cover Fits with TJ430  1601	6.5m	M/F CL/ANOD	10001 10002
	TJ431	Sub Head / Jamb  1601	6.5m	M/F CL/ANOD	10001 10002
	TJ6159	Sub Head / Jamb Cover Fits with TJ431  1601	6.5m	M/F CL/ANOD	10001 10002

 Key hardware.

# 100MM X 50MM FRONT DOUBLE GLAZED

CODE	DESCRIPTION	LGTH.	FINISH	GROUP ID	
TJ359	Light Duty Sub Sill 12mm Set Back Slotted  1601, 1930	6.5m	M/F CL/ANOD BZ/ANOD	10001 10002 10001	
TJ368	STD Sub Sill 6mm Set Back Slotted  1601, 1930	6.5m	M/F CL/ANOD	10001 10002	
TJ379	Heavy Duty Sub Sill 12mm Set Back Slotted  1601, 1930	6.5m	M/F CL/ANOD	10001 10002	
TJ259	Sub Sill 25mm Set Back Slotted  1601, 1930	6.5m	M/F CL/ANOD BZ/ANOD	10001 10002 10001	
TJ479	High Performance Sub Sill 22mm Set Back Slotted  1601	6.5m	M/F CL/ANOD	10001 10002	
TJ432	Sub Sill 35mm Set Back Slotted  1601, 1930	6.5m	M/F CL/ANOD	10001 10002	

 Key hardware.



# 150MM X 50MM FRONT DOUBLE GLAZED



1630



1620



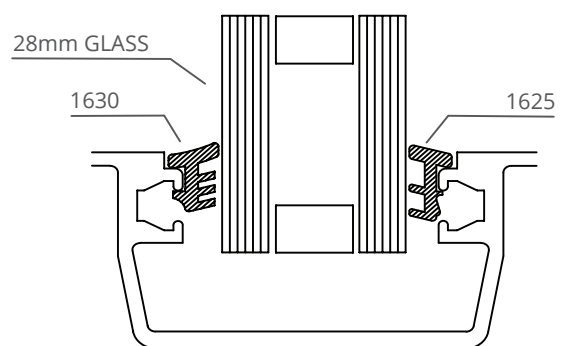
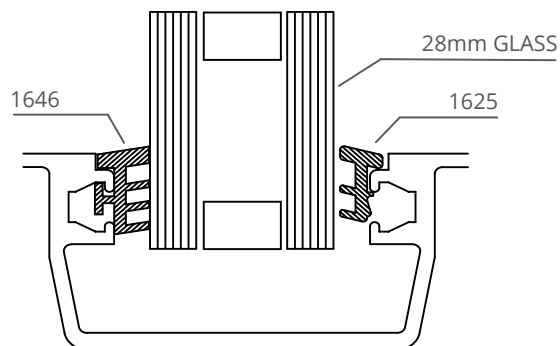
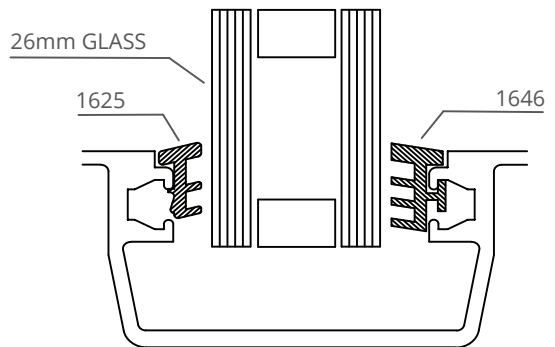
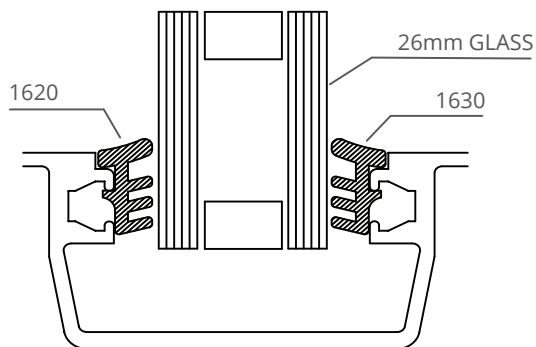
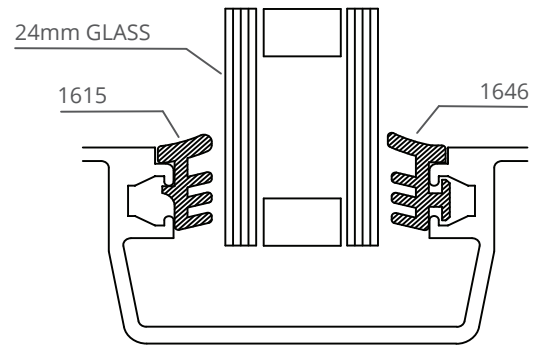
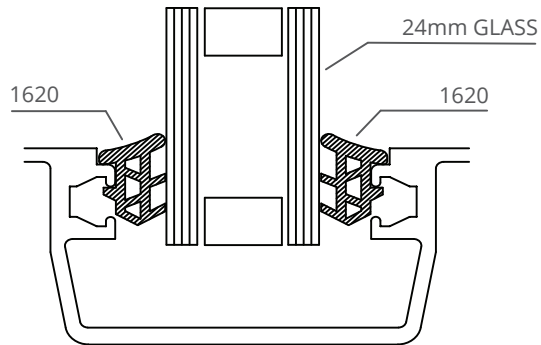
1615



1625



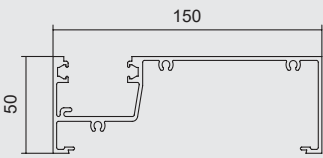
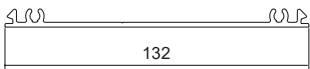
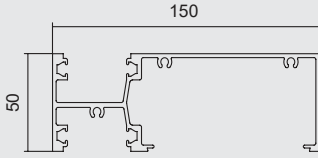
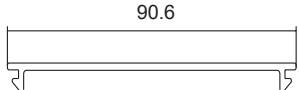
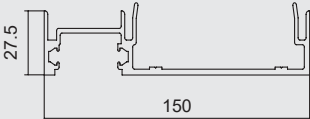

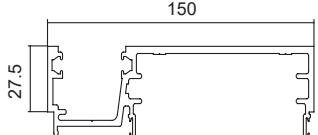



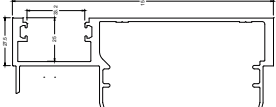

1646 Captive



Note: When using 2 X CDG4308 and DGF4510 Pocket Reducers, refer to "100mm Front Single Glazing" chart.

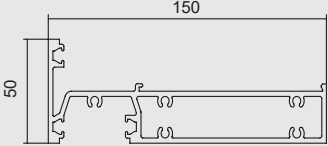
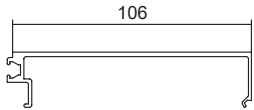
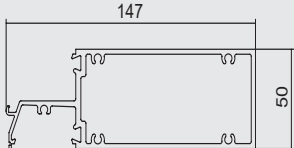
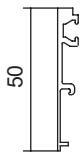
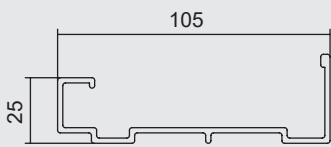

\* For more glazing options, please refer to your Darley Wall Chart or technical manual.

# 150MM X 50MM FRONT DOUBLE GLAZED

CODE	DESCRIPTION	LGTH.	FINISH	GROUP ID	
DGF6561	Frame Fits with JM2865/DGF4506/ DGF4510/4516/4517	6.5m	M/F CL/ANOD	9201 9202	
JM2865	132mm Flat Filler Fits with DGF6561	6.5m	M/F CL/ANOD	8701 8702	
DGF6564	Transom Fits with TJ305/DGF4506/ DGF4510/4516/4517	6.5m	M/F CL/ANOD	9201 9202	
TJ305	Flush Adaptor Fits with DGF6564	6.5m	M/F CL/ANOD BZ/ANOD	8301 8302 8301	
DGF6567	Expansion Mullion Female Fits with DGF6568	6.5m	M/F CL/ANOD	9201 9202	
DGF6568	Expansion Mullion Male Fits with DGF6567  1660	6.5m	M/F CL/ANOD	9201 9202	
DGF6582	Expansion Mullion Female  1660	6.5m	M/F CL/ANOD	9201 9202	 
DGF6583	Expansion Mullion Male	6.5m	M/F CL/ANOD	9201 9202	 

 Key hardware.

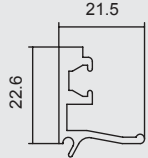
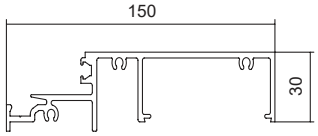
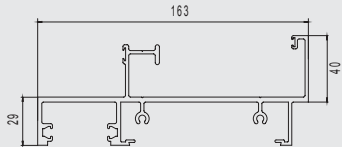
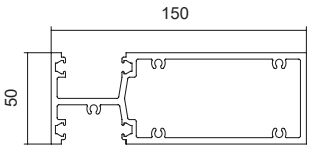
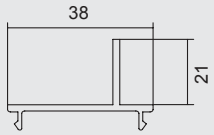
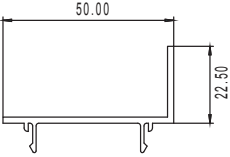
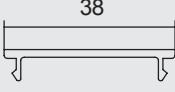
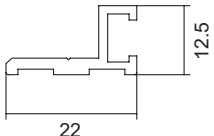
# 150MM X 50MM FRONT DOUBLE GLAZED

	CODE	DESCRIPTION	LGTH.	FINISH	GROUP ID
	DGF6569	Transom Sill Fits with DGF6570/4506/4510/4516	6.5m	M/F CL/ANOD	9201 9202
	DGF6570	Internal Glazing Bead Fits with DGF6569/4510	6.5m	M/F CL/ANOD	9201 9202
	DGF6571	Transom Sill Fits with FGS412/DGF4510	6.5m	M/F CL/ANOD	9201 9202
	FGS412	Face Bead Fits with FGS411/611/DGF6571/4510/4571	6.5m	M/F CL/ANOD	8901 8902
	DGF6573	Stiffener Fits with DGF6575 	6.5m	M/F CL/ANOD	9201



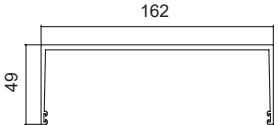


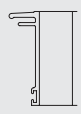
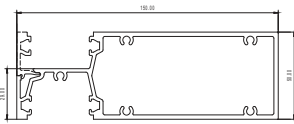
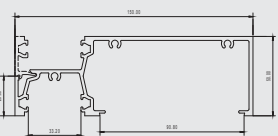



Technical guidance recommended.

# 150MM X 50MM FRONT DOUBLE GLAZED

CODE	DESCRIPTION	LGTH.	FINISH	GROUP ID	
DGF6503	Bead to Suit DGF6574	TBA	M/F	TBA	
DGF6574	Male Stack Sill Fits with DGF6575/6503/4510	6.5m	M/F	9201	
DGF6575	Female Stack Sill Fits with DGF6574/6573 <b>Key</b> 1660,1710	6.5m	M/F	9201	
DGF6576	Mullion / Transom Fits with DGF4506/4510/4516/4517	6.5m	M/F CL/ANOD	9201 9202	
DGF4516	35 Sash Stop Suits TJ722/723/726 Fits with DGF6561/6564/6569	6.5m	M/F CL/ANOD	9001 9002	
DGF4519	50 Awning Stop Fits with DGF4501 Suits TJ741	6.5m	M/F CL/ANOD	9001 9002	
DGF4506	Pocket Filler Fits with DGF6561/6564/6569/6576	6.5m	M/F CL/ANOD	9001 9002	
JM2809	Plant On Door Stop Fits with JM2841/2861/2846/2847/2866/ JM2867/2868 <b>Key</b> 1610, 1611, 1614	6.5m	M/F CL/ANOD	9701 9702	

 Key hardware.

# 150MM X 50MM FRONT DOUBLE GLAZED

	CODE	DESCRIPTION	LGTH.	FINISH	GROUP ID
	DGF4510	Glazing Reducer Fits with All DGF Sections	6.5m	M/F CL/ANOD	9001 9002
	TJ6157	150mm Sub Head Fits with TJ151/152/SD129/FG601  1601, 1710	6.5m	M/F CL/ANOD	10001 10002
	TJ6156	150mm Sub Sill Slotted  1601	6.5m	M/F CL/ANOD	10001 10002
	TJ6158	150mm Sub Head / Jamb  1601	6.5m	M/F CL/ANOD	10001 10002
	TJ6159	150mm Sub Head / Jamb Cover Fits with TJ6158  1601	6.5m	M/F CL/ANOD	10001 10002
	DGF6579	Structural Transom Fits with FGS403	6.5m	M/F	10001 10002
	DGF6580	Open Sill Transom Fits with TJ305/FGS403	6.5m	M/F CL/ANOD	10001 10002
	FGS403	External Bead Fits with DGF6579/6580	6.5m	M/F CL/ANOD	10001 10002
	DGF6581	Structural Transom* Fits with TJ305	6.5m	M/F	10001 10002
 	DGF6584	150mm Blind Female Mullion*	6.5m	M/F	10001 10002
 	DGF6585	150mm Blind Male Mullion*	6.5m	M/F	10001 10002





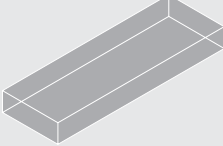


 Key hardware.

\* *Disclaimer:* Engineering required as per project.

# DOUBLE GLAZED COMPONENTS

CODE	DESCRIPTION	U.O.M.	BOX QTY.	GROUP ID	
1474	Foam Seal - 1050 Pieces Roll Suits 100mm Front Glazed Single	Roll	1	16177	
1475	Foam Seal - 1120 Pieces Roll Suits 150mm Front Glazed Single	Roll	1	16177	
1495	Foam Plug To Suit Double Glazed Framing (9 Per Sheet)	Roll	1	16177	
1610-M100	6mm Door Stop - 100m Roll Suits TJ306	Roll	1	16169	
1614	Large Door Stop - 200m Suits TJ306	Roll	1	16169	 
1611	Weatherstrip 90-900 Black - 150m Roll	Roll	1	16173	
1615	Glazing Wedge PVC - 200m Roll Suits TJ202	Roll	1	16169	
1620	Glazing Wedge PVC - 200m Roll	Roll	1	16169	
1625	Glazing Wedge PVC - 250m Roll	Roll	1	16169	
1630	Glazing Wedge PVC - 200m Roll	Roll	1	16169	
1626	Glazing Wedge - 100m Roll Suits 20mm IGU For CDG & DFG	Roll	1	16169	
1660	V Seal (Mullion Rubber) - 500m Roll	Roll	1	16169	

# DOUBLE GLAZED COMPONENTS

	CODE	DESCRIPTION	U.O.M.	BOX QTY.	GROUP ID
	1370**	Dow Corning 688 Silicone Glazing & Cladding Sealant  <i>688**Specify finish: Black-BL, Translucent-Trans, White-WH.</i>	Tube	24	16161
	1371**	Dow Corning 795 Structural Glazing Silicone  <i>795**Specify finish: Black-BL.</i>	Sausage	20	16161
	1311**	Dow Corning 680 Sanitary Silicone - Tube (Neutral Cure)  <i>680 **Specify Finish: Transparent-TR White-WH.</i>	Tube	20	16161
	1900-M	Frame Packers - 1.5mm X 90mm Blue 100/Bag	Bag	N/A	16157
	1901-M	Frame Packers - 3mm X 90mm Green 100/Bag	Bag	N/A	16157
	1902-M	Frame Packers - 5mm X 90mm Orchre 100/Bag	Bag	N/A	16157
	1903-M	Frame Packers - 10mm X 90mm Black 100/Bag	Bag	N/A	16157
	1910	Setting Blocks 3mm Thick	Bag	N/A	16157
	1911	Setting Blocks 5mm Thick	Bag	N/A	16157
	1912	Setting Blocks 10mm Thick	Bag	N/A	16157
	1930	End Cap To Suit Subsills Bag Of 50 Pairs - Left + Right	Bag	N/A	16157
	1960	Lanotec General Purpose Liquid Lanolin 400g	Tube	12	16181
	1961	Lanotec "Citra Force" Cleaner Degreaser 400g	Tube	12	16181

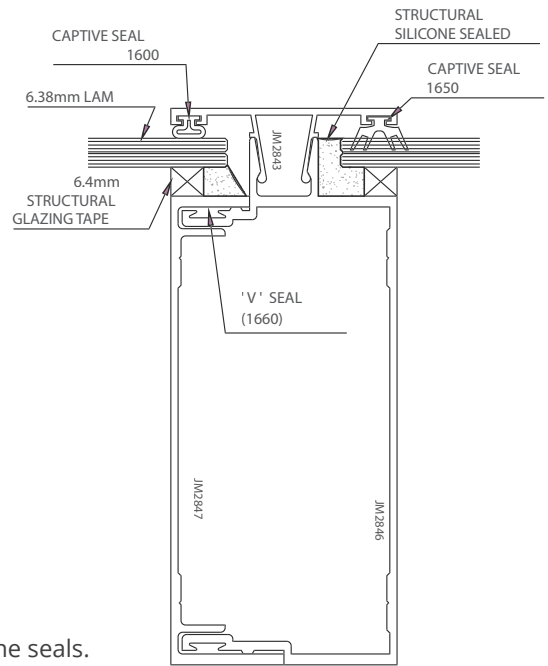
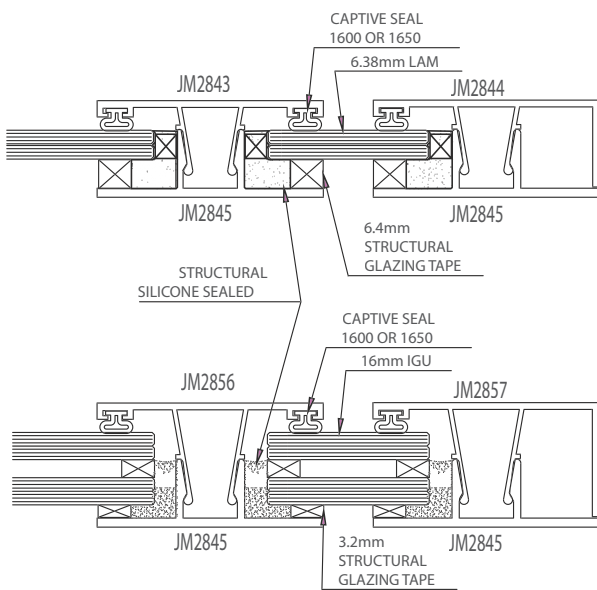


Please check with your local branch for stock availability.

# CAPPED FRONT GLAZED SUITES

## BASE JM2845, JM2841, JM2861, JM2846

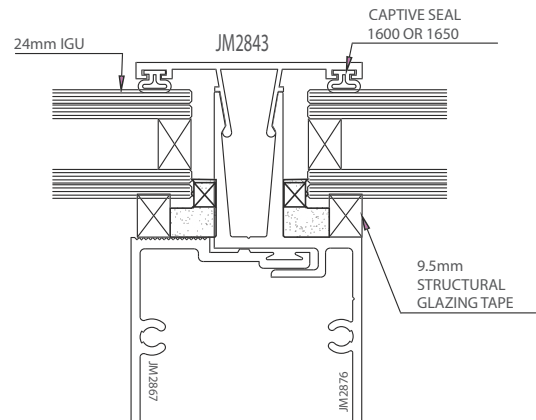
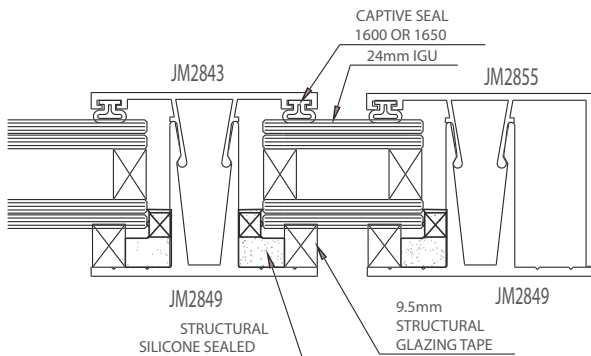
GLASS	SUITABLE GLAZING TAPE	TAPE CODE	SNAP CAP
6mm	12mm x 6.4mm Structural Tape	1402	JM2843/JM2844
8mm	12mm x 4.8mm Structural Tape	1401	JM2843/JM2844
10mm	12mm x 3.2mm Structural Tape	1400	JM2843/JM2844
10mm	12mm x 9.5mm Structural Tape	1403	JM2856/JM2857
12mm	12mm x 6.4mm Structural Tape	1402	JM2856/JM2857
16mm	12mm x 3.2mm Structural Tape	1400	JM2856/JM2857



Recommended glazing method: Wet glazed using continuous silicone seals.  
Glass cutting size: Daylight Size +25mm.

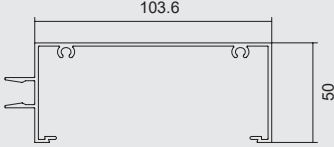
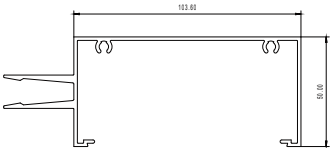
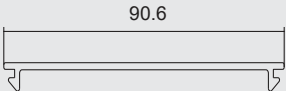
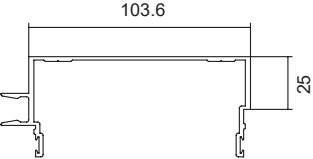

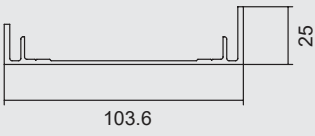
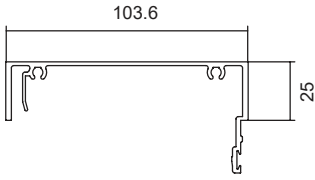

## BASE JM2849, JM2871

GLASS	SUITABLE GLAZING TAPE	TAPE CODE	SNAP CAP
24mm	12mm x 9.5mm Structural Tape	1403	JM2843/JM2844



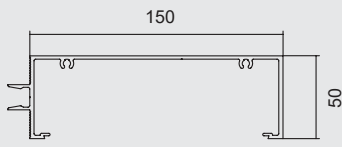
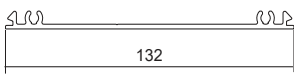
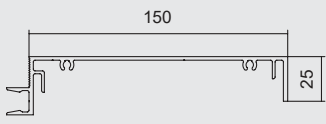

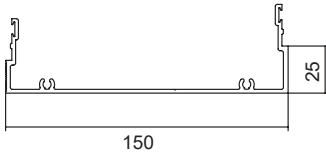
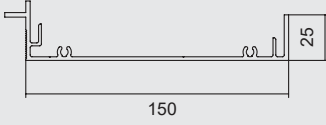
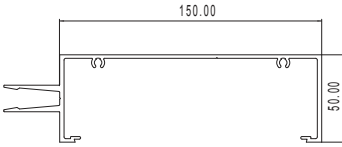
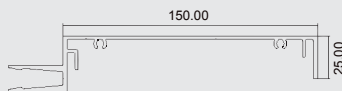


# 103MM X 50MM CAPPED FRONT GLAZED

	CODE	DESCRIPTION	LGTH.	FINISH	GROUP ID
	JM2841	103mm Main Frame Fits with TJ305/304/2843/2844/2856/2857	6.5m	M/F CL/ANOD	8601 8602
	JM2840	Double Glazed Frame Fits with TJ304/305/2843/2855	6.5m	M/F CL/ANOD	8601 8602
	TJ305	Flush Filler Fits with TJ301/302/367/308/2841/2842	6.5m	M/F CL/ANOD BZ/ANOD	8301 8302 8301
	JM2846	Expansion Mullion Male Fits with JM2843/2844/2847/2856/2857  1660	6.5m	M/F CL/ANOD	8601 8602
	JM2847	Expansion Mullion Female Fits with JM2846	6.5m	M/F	8601 8602
	JM2848	Self Mating Mullion  1660	6.5m	M/F CL/ANOD	8601 8602

 Key hardware.

# 150MM X 50MM CAPPED FRONT GLAZED

CODE	DESCRIPTION	LGTH.	FINISH	GROUP ID	
JM2861	150mm Main Frame Fits with JM2843/2844/2865/2856/2857	6.5m	M/F CL/ANOD	8701 8702	
JM2865	132mm Flat Filler Fits with JM2861	6.5m	M/F CL/ANOD	8701 8702	
JM2866	Mullion 150mm Female Fits with JM2867/2843/2844/2856	6.5m	M/F CL/ANOD	8701 8702	
JM2867	Mullion 150mm Male Fits with JM2866/2868  1660	6.5m	M/F CL/ANOD	8701 8702	
JM2868	Mullion 150mm Female Fits with JM2867	6.5m	M/F CL/ANOD	8701 8702	
JM2871	D/G Frame Fits with JM2865/2843/2855	6.5m	M/F CL/ANOD	8701 8702	
JM2876	D/G Frame Mullion Fits with JM2867/2843	6.5m	M/F CL/ANOD	8701 8702	

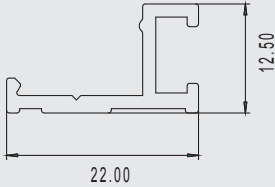
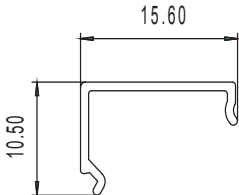
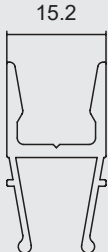
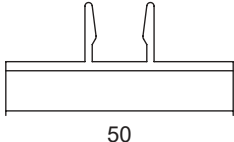
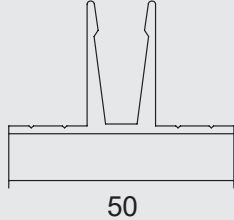
 Key hardware.

# CAPPED FRONT GLAZED SECTIONS

	CODE	DESCRIPTION	LGTH.	FINISH	GROUP ID
	JM2843	Snap Cap - 16mm Gap Fits with JM2841/2845/2846/2849 JM2861/2866 Key 1601,1650	6.5m	M/F CL/ANOD	8601 8602
	JM2844	Snap Cap With Legs - 16mm Gap Fits with JM2841/2845/2846/2849/ JM2861/2866 Key 1601,1650	6.5m	M/F CL/ANOD	8601 8602
	JM2856	Snap Cap - 22mm Gap Fits with JM2845 To Suit 12-16mm Glass Key 1601,1650	6.5m	M/F CL/ANOD	8600
	JM2857	Snap Cap With Legs - 22mm Gap Fits with JM2845 To Suit 12-16mm Glass Key 1601,1650	6.5m	M/F CL/ANOD	8600
	JM2855	D/G Snap Cap With Extended - 35mm Gap - Leg with Keynote Suite JM2849/2850 Fits with JM2841/2845/2846/2849 JM2861/2866 Key 1601,1650	6.5m	M/F CL/ANOD	8861 8862
	JM2809	Plant On Door Stop Fits with JM2841/2846/2847/2861/ JM2866/2867/2868 Key 1610, 1611, 1614	6.5m	M/F CL/ANOD	9701 9702

Key hardware.

# CAPPED FRONT GLAZED SECTIONS

CODE	DESCRIPTION	LGTH.	FINISH	GROUP ID	
JM2810	Plant On Door Stop With Cover Fits with JM2811 <b>Key</b> 1610, 1611, 1614	6.5m	M/F CL/ANOD	8600	
JM2811	Cover To Suit Plant On Door Stop Fits with JM2810	6.5m	M/F CL/ANOD	8600	
JM2850	Double Glazed Adaptor for Capped Frame Fits with JM2841/2842/2845/2861/2866	6.5m	M/F CL/ANOD	8601 8602	
JM2845	Plant On Base Fits with JM2843/2844	6.5m	M/F CL/ANOD	8601 8602	
JM2849	Double Glazed Plant On Base Fits with JM2843/2844/2855	6.5m	M/F CL/ANOD	8701 8702	

**Key** Key hardware.

# CAPPED FRONT GLAZED COMPONENTS

	CODE	DESCRIPTION	U.O.M.	BOX QTY.	GROUP ID
	1400	Tesa Structural Spacer Tape D/Sided Black Urethane 3.2mm x 12mm - 15m Roll	Roll	25	16165
	1401	Tesa Structural Spacer Tape D/Sided Black Urethane 4.8mm x 12mm - 15m Roll	Roll	25	16165
	1402	Tesa Structural Spacer Tape D/Sided Black Urethane 6.4mm x 12mm - 15m Roll	Roll	25	16165
	1403	Tesa Structural Spacer Tape D/Sided Black Urethane 9.5mm x 12mm - 7.5m Roll	Roll	25	16165
	1600	Bulb Seal PVC - 250m Roll	Roll	1	16169
	1601	Bulb Seal Co-Extruded - 100m Roll	Roll	1	16169
	1610- M100	6mm Door Stop - 100m Suits TJ306	Roll	1	16169
	1611	Weatherstrip 90-900 Black - 150m Roll	Roll	1	16173
	1614	Large Door Stop - 200m	Roll	1	16169
	1650	Glazing Wedge Captive PVC - 200m Roll To Suit JM2843/2844	Roll	1	16169
	1660	V Seal (Mullion Rubber) - 500m Roll	Roll	1	16169

# CAPPED FRONT GLAZED COMPONENTS

	CODE	DESCRIPTION	U.O.M.	BOX QTY.	GROUP ID
	1370**	Dow Corning 688 Silicone Glazing & Cladding Sealant  <i>688**Specify finish: Black-BL, Translucent-Trans, White-WH.</i>	Tube	24	16161
	1371**	Dow Corning 795 Structural Glazing Silicone  <i>795**Specify finish: Black-BL.</i>	Sausage	20	16161
	1311**	Dow Corning 680 Sanitary Silicone - Tube (Neutral Cure)  <i>680**Specify finish: Transparent-TR White-WH.</i>	Tube	20	16161
	1900-M	Frame Packers - 1.5mm X 90mm Blue 100/Bag	Bag	N/A	16157
	1901-M	Frame Packers - 3mm X 90mm Green 100/Bag	Bag	N/A	16157
	1902-M	Frame Packers - 5mm X 90mm Ochre 100/Bag	Bag	N/A	16157
	1903-M	Frame Packers - 10mm X 90mm Black 100/Bag	Bag	N/A	16157
	1910	Setting Blocks 3mm Thick	Bag	N/A	16157
	1911	Setting Blocks 5mm Thick	Bag	N/A	16157
	1912	Setting Blocks 10mm Thick	Bag	N/A	16157
	1930	End Cap to Suit Subsills Bag of 50 Pairs - Left + Right	Bag	N/A	16157
	1960	Lanotec General Purpose Liquid Lanolin 400g	Tube	12	16181
	1961	Lanotec "Citra Force" Cleaner Degreaser 400g	Tube	12	16181

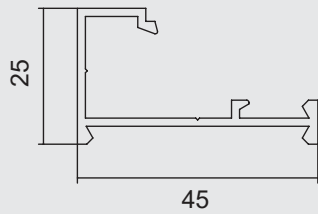
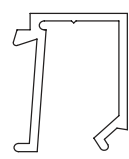
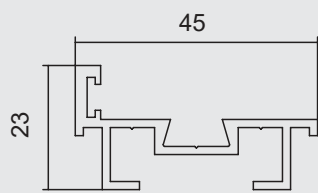
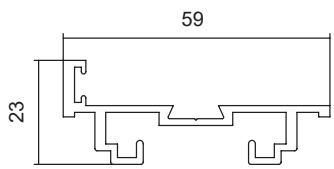
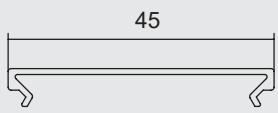
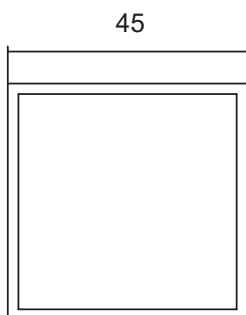


Please check with your local branch for stock availability.



45mm PARTITION SUITE



# 45MM PARTITION SECTIONS

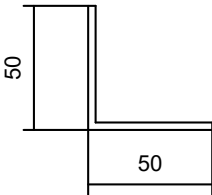
CODE	DESCRIPTION	LGTH.	FINISH	GROUP ID	
PS402	Standard 45mm Pocket Glazing Section Fits with PS403 <b>Key</b> 1860 6.38mm, 10.38mm * <i>* Please refer to 101.6mm x 45mm Centre Single Glazed</i>	5.5m	M/F CL/ANOD	8101 8102	
PS403	Clip In Glazing Bead Fits with PS402	5.5m	M/F CL/ANOD	8101 8102	
PS435	35mm Door Frame Fits with PS402 <b>Key</b> 1862,1675,1720	5.5m	M/F CL/ANOD	8101 8102	
PS445	45mm Door Frame Fits with PS402 <b>Key</b> 1862,1675,1720	5.5m	M/F CL/ANOD	8101 8102	
PS404	45mm End Cap Fits with PS402	5.5m	M/F CL/ANOD	8101 8102	
SQ4545T16	Square Post 45 X 45 X 1.6	6.5m	M/F CL/ANOD	18401 18402	

**Key** Key hardware.

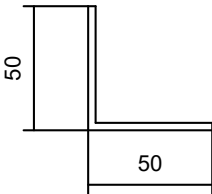


# 45MM PARTITION SUITE COMPONENTS

	CODE	DESCRIPTION	U.O.M.	BOX QTY.	GROUP ID
	1675	Skirting Infill Rubber 100m Roll <i>**Specify finish: Black-BL, Light Grey-L/G</i> 	Roll	1	16169

	1860	Corner Stake for Partition Suite 50 x 50 x 3mm 10mm To Suit PS402	Each	100	16153
---	------	---	------	-----	-------

	1861	Corner Stake for Partition Suite 50 x 50 x 3mm 39.5mm To Suit PS445	Each	100	16153
--	------	---	------	-----	-------

	1862	Corner Stake for Partition Suite 50 x 50 x 3mm 31.4mm To Suit PS435	Each	100	16153
---	------	---	------	-----	-------



 Please check with your local branch for stock availability.

# POWDER COATING

The Darley Sydney and Melbourne branches offer an in-house powder coating service. With a variety of colours to choose from - Darley is an accredited applicator of both the Dulux and Interpon powder coat finishes.

Interpon offers a 15 year warranty on powder coat application, while Dulux offers a 20 year warranty on specification.

To find out more please contact your Account Manager or your local Darley branch.

**Interpon**  
POWDER COATINGS

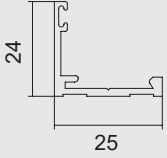
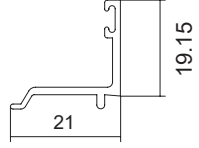
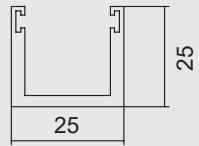
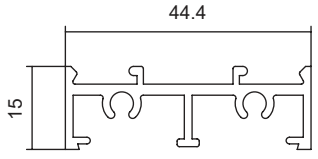
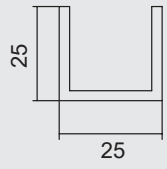
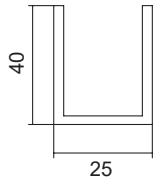
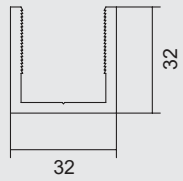
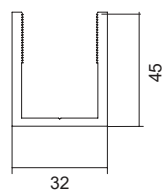
**Dulux**





GLAZING CHANNELS

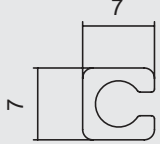
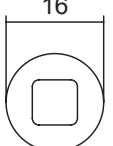
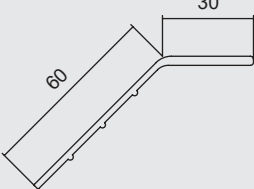
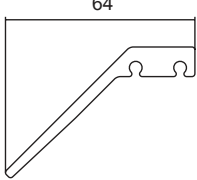
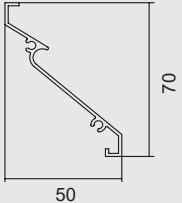
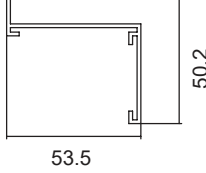
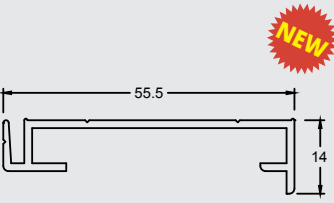
# GLAZING CHANNELS

CODE	DESCRIPTION	LGTH.	FINISH	GROUP ID	
TJ015	Glazing Base 25 x 25 PART 1 Fits with TJ016 Suite 10.38mm Glass 1620/1615 Suite 6.38mm Glass 1615/1933	6.5m	M/F CL/ANOD	10301 10302	
TJ016	Glazing Bead 25 x 25 PART 2 Fits with TJ015	6.5m	M/F CL/ANOD	10301 10302	
TJ025	Glazing Channel 25 x 25 x 3 Suite 10.38mm Glass 1620/1615 Suite 6.38mm Glass 1615/1933 Suite 8.38mm Glass 1620/1933 or 1625	6.5m	M/F CL/ANOD	10301 10302	
TJ208	45mm Double Beaded Glazed Base Fits with TJ202/209/227	6.5m	M/F CL/ANOD	10301 10302	
CH3218	Glazing Channel 25 x 25 x 3.0mm	6.5m	M/F CL/ANOD	10301 10302	
CH3220	Glazing Channel 25 x 40 x 3.0mm	6.5m	M/F CL/ANOD	10301 10302	
CH3232	Glazing Channel 32 x 32 x 3.7mm	6.5m	M/F CL/ANOD	10301 10302	
CH3245	Glazing Channel 32 x 45 x 3.7mm	6.5m	M/F CL/ANOD	10301 10302	

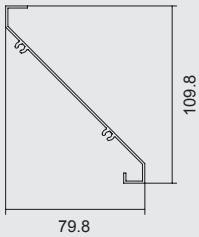
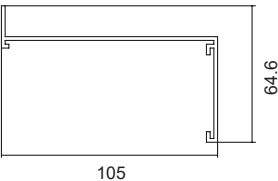
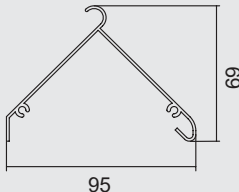
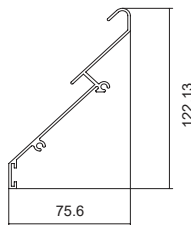
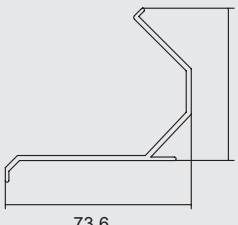


FIXED LOUVRES

# FIXED LOUVRES


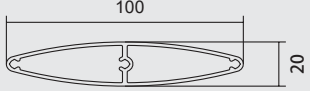

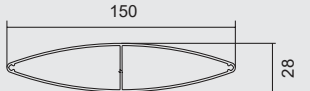
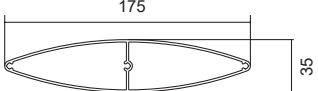
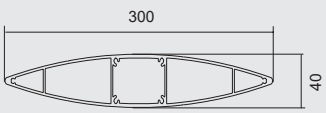
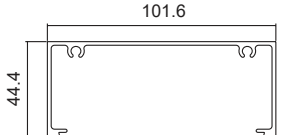
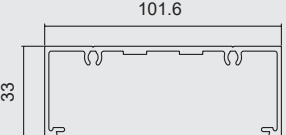
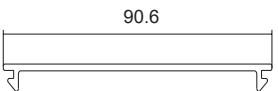
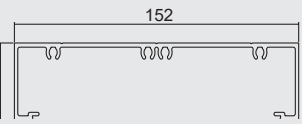
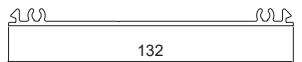
CODE	DESCRIPTION	LGTH.	FINISH	GROUP ID	
LV106	Louvre Fixing Rod	4m	M/F	22801	
LV107	Louvre Spacer Rod Fits With LV106	4m	M/F CL/ANOD	22801 22802	
LV108	60mm Louvre Blade	6.5m	M/F CL/ANOD	22801 22802	
LV109	60mm x 10mm Blade	6.5m	M/F CL/ANOD	22801 22802	
LV050	50mm Louvre Blade Fits With LV051 Recommended Max Span 1500mm	6.0m	M/F CL/ANOD	22801 22802	
LV051	50mm Louvre Frame Fits With LV050	6.5m	M/F CL/ANOD	22801 22802	
LV052	Hinged Door Insert for 50mm Louvre Blades Fits With LV050	6.0m	M/F CL/ANOD	22801 22802	

# FIXED LOUVRES

	CODE	DESCRIPTION	LGTH.	FINISH	GROUP ID
	LV100	100mm Louvre Blade Fits with LV101 Recommended Max Span 1600mm	6.0m	M/F CL/ANOD	22801 22802
	LV101	100mm Louvre Frame Fits with LV100	6.5m	M/F CL/ANOD	22801 22802
	LV9517	Louvre Recommended Max Span 2000mm	6.5m	M/F CL/ANOD	22801 22802
	LV7061	Louvre Blade Fits with LV7049 Recommended Max Span 2000mm	6.5m	M/F CL/ANOD	22801 22802
	LV7049	Louvre Blade Fixing Adaptor Fits with LV7061	6.5m	M/F CL/ANOD	22801 22802



# FIXED LOUVRES

CODE	DESCRIPTION	LGTH.	FINISH	GROUP ID	
LVE100	Louvre 100 x 20 Recommended Max Span 1600mm  3100	6.5m 6.0m	M/F CL/ANOD	22901 22902	
3100	Oval End Cap To Suite LVE100 Fits into Louvre Gallery	60/ pack	BLACK GREY WHITE	16157	
LVE150	Louvre 150 x 28 Recommended Max Span 2600mm	6.5m	M/F CL/ANOD	22901 22902	
LVE175	Louvre 175 x 35 Recommended Max Span 3000mm	6.5m	M/F CL/ANOD	22901 22902	
LVE300	Louvre 300 x 40 Recommended Max Span 4200mm	6.5m	M/F CL/ANOD	22901 22902	
TJ367	Plain Frame Fits with TJ304/305	6.5m	M/F CL/ANOD BZ/ANOD	8301 8302 8301	
SD100	100mm Plain Frame Fits with TJ304/305	6.5m	M/F CL/ANOD	10401 10402	
TJ305	Flush Adaptor Fits with TJ367 / SD100	6.5m	M/F CL/ANOD BZ/ANOD	8301 8302 8301	
SD150	150mm Plain Frame	6.5m	M/F CL/ANOD	10401 10402	
JM2865	132mm Flat Filler Fits with SD150	6.5m	M/F CL/ANOD	8701 8702	

 Key hardware.