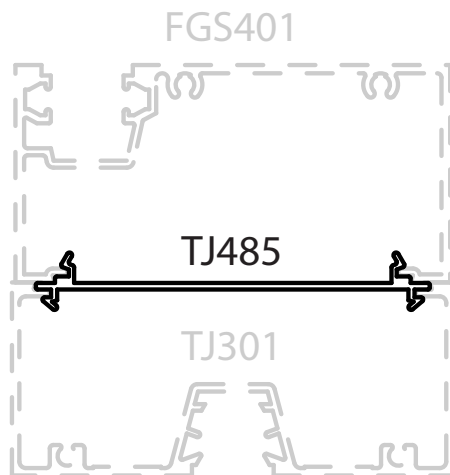
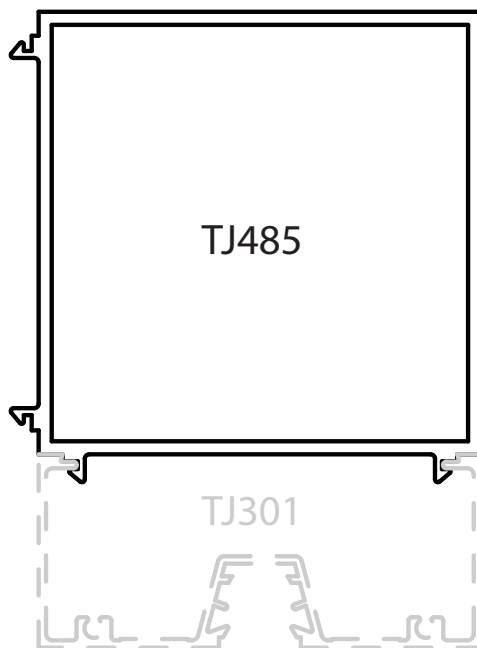


Date: 29 Aug 2014

RE: TJ485, TJ319 have been added to the Darley commercial range



CODE	DESCRIPTION	LENGTH
TJ485	Back to back adaptor-fits 101.6mm to 100mm sections.	6500mm



CODE	DESCRIPTION	LENGTH
TJ319	Corner post 90 degrees to suit 101.6mm sections.	6500mm

NOTES:

- Sealant must be applied to snap legs to achieve weatherproofing.
- Mechanical fastening to TJ319 post may be required, due to design pressures.
- Will be included in next V6 software update.